

# INSTRUCTION MANUAL

## RPB® GX4®



ENGLISH

2



NEDERLANDS

33



**EMPLOYERS:** Read this manual the head-top and the flow control device instruction manual and carry out the employer responsibilities (page 7).

**PRODUCT USERS:** Read this manual, the head-top and the flow control device instruction manual and follow the product user safety instructions (page 9).

Manuals are regularly updated. Make sure this manual is available to all users for reference.

**CURRENT VERSION OF MANUAL AND OTHER LANGUAGES:**

[rpbsafety.com/air-monitoring-filtration-supply/gx4-gas-monitor](http://rpbsafety.com/air-monitoring-filtration-supply/gx4-gas-monitor)

The Respiratory Protection **Brand**®




# **GX4® GAS MONITOR**


## **CONTENTS**

■ EXPLANATION OF SIGNAL WORDS AND SYMBOLS	2
■ INTRODUCTION	3
■ IMPORTANT SAFETY INFORMATION	
□ PROTECTION PROVIDED AND LIMITATIONS	4
□ TYPICAL SUPPLIED AIR SETUP	5
□ AIR SOURCE, FITTINGS, AND PRESSURE	6
□ EMPLOYER RESPONSIBILITIES	7
□ PRODUCT USER SAFETY INSTRUCTIONS	9
■ SETUP AND OPERATION	10
□ WIFI CONNECTION	11
□ WEBSITE	12
□ UNIT SETUP	13
□ MENU	21
□ ALARMS AND SETTINGS	22
□ POWER AND CHARGING	24
■ MAINTENANCE	25
□ MANIFOLD	25
□ CLEANING	27
□ SENSOR CHECK	27
■ PARTS AND ACCESSORIES	30
■ WARRANTY AND LIABILITY STATEMENT	32
■ NEDERLANDS	33

## **EXPLANATION OF SIGNAL WORDS AND SYMBOLS**

The following signal word and safety symbols are used in this manual and product labeling:

 **WARNING** **WARNING** indicates a hazardous situation that, if not avoided, could result in death or serious injury.

 **DANGER** **DANGER** Indicates a hazardous situation that, if not avoided, will result in death or serious injury.



**Read the Instruction Manual.**

Additional copies of RPB® manuals can be found at [rpbafety.com](http://rpbafety.com).

**RPB® Safety LLC is an ISO9001 certified company.**

## INTRODUCTION

The RPB® GX4®, model 08-400, tests the quality of compressed breathing air for Carbon Monoxide and other gases\* depending on which gas sensor cartridges are installed. Compressed Air is supplied to the unit through the sampling hose at a constant flow to the sensors for continuous analysis.

\*Visit [rpbsafety.com/air-monitoring-filtration-supply/gx4-gas-monitor](http://rpbsafety.com/air-monitoring-filtration-supply/gx4-gas-monitor) for a list of available gas sensors. There are currently 3 different sensors available. More are in development for future release.

■ Current sensors available: Carbon Monoxide, Oxygen, Hydrogen Sulfide

This product must be inspected and maintained in accordance with this instruction manual at all times.

See PROTECTION PROVIDED AND LIMITATIONS (page 4) for details.

### **RPB® SAFETY - GLOBAL HEADQUARTERS**

2807 Samoset Rd, Royal Oak, MI 48073, USA.

T: 1-866-494-4599 F: 1-866-494-4509 E: [sales.us@rpbsafety.com](mailto:sales.us@rpbsafety.com) [rpbsafety.com](http://rpbsafety.com)

### **RPB® SAFETY - APAC**

1 Ivan Jamieson Place, Christchurch Airport, Christchurch 8053 New Zealand.

T: +64-3-357-1761 F: +64-3-357-1763 E: [sales.nz@rpbsafety.com](mailto:sales.nz@rpbsafety.com) [rpbsafety.com](http://rpbsafety.com)

### **RPB® SAFETY - EMEA**

T: +44-800-689-5031 E: [sales@rpbsafety.co.uk](mailto:sales@rpbsafety.co.uk) [rpbsafety.com](http://rpbsafety.com)

Copyright ©2019 RPB Safety, LLC. All rights reserved. All materials contained on this website are protected by United States copyright law and may not be reproduced, distributed, transmitted, displayed, published or broadcast without the prior written permission of RPB Safety, LLC. You may not alter or remove any trademark, copyright or other notice from copies of the content.

All trademarks, service marks, and logos used in this publication, both registered and unregistered, are the trademarks, service marks, or logos of their respective owners. The green and gray color combination is a registered trademark of RPB Safety, LLC. All rights in the RPB Intellectual Property contained in this publication, including copyright, trademarks, service marks, trade secret, and patent rights are reserved. RPB Intellectual Property means any patent, patented articles, patent applications, designs, industrial designs, copyrights, software, source code, database rights, moral rights, inventions, techniques, technical data, trade secrets, know-how, brands, trademarks, trade names, slogans, logos, and any other common law and proprietary rights, whether registered or unregistered anywhere in the world, that are owned by, developed in whole or in part by, or licensed by RPB Safety, LLC.

For technical assistance contact our Customer Service Department at 1-866-494-4599 or email: [customerservice@rpbsafety.com](mailto:customerservice@rpbsafety.com)

Form #: 7.20.533

Rev: 5

# **GX4® GAS MONITOR**

## **IMPORTANT SAFETY INFORMATION**

### **⚠ WARNING**

Improper selection, use, or maintenance of respiratory protection products can result in injury; life threatening delayed lung, skin or eye disease; or death. This product is intended for occupational use in accordance with applicable standards or regulations for your location, industry, and activity (see Employer Responsibilities, page 7). Familiarity with standards and regulations related to the use of this protective equipment is recommended, even if they do not directly apply to you. If self-employed or if used in a non-occupational setting, refer to Employer Responsibilities and Product User Safety Instructions. Go to [rpbsafety.com/important-safety-information/](http://rpbsafety.com/important-safety-information/) for helpful links to OSHA, EN and AS/NZS standards, and other content.

**Employers:** Read this manual, the respirator, and the flow control device Instruction Manuals and carry out the Employer Responsibilities (page 7).

**Product users:** Read this manual, the respirator, and the flow control device Instruction Manuals and follow the Product User Safety Instructions (page 9).

**Check website for updates.** Product manuals are regularly updated.

Visit [rpbsafety.com/resources/](http://rpbsafety.com/resources/) for the most recent version of this manual before using the product.

## **PROTECTION PROVIDED AND LIMITATIONS**

### **SUPPLIED AIR**

The RPB® GX4® monitors the gas level in the breathing air. Cartridges are available to detect Carbon Monoxide (5 or 10ppm depending on the requirements of your region), Oxygen, and Hydrogen Sulfide. Visit [rpbsafety.com/air-monitoring-filtration-supply/gx4-gas-monitor](http://rpbsafety.com/air-monitoring-filtration-supply/gx4-gas-monitor) for a list of available gas sensors. The GX4® DOES NOT remove any gasses from the air.

### **HAZARD LIMITATIONS**

The RPB® GX4® is **NOT FOR USE** if:

- The temperature is outside the range of 32°F to 113°F (0°C to +45°C).
- A flammable or explosive atmosphere is present; this product is NOT intrinsically safe.

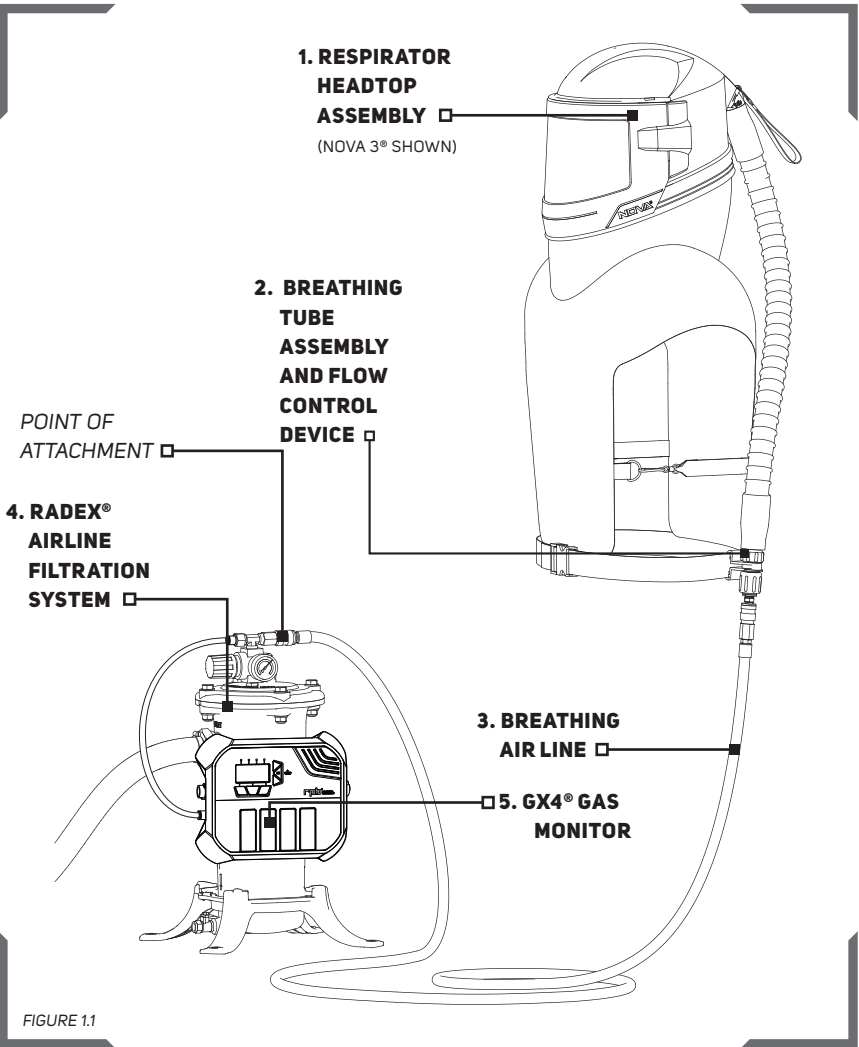
### **STANDARDS AND REGULATIONS**

The RPB® GX4® monitor supplied air to meet or exceed CGA Grade-D specifications for air quality as adopted by OSHA. Refer to the following standards and regulations, depending on the location the GX4® is being used, for more information:

- ANSI/Compressed Gas Association Commodity Specification for Air, G-71-1989.
- Federal OSHA 29 CFR 1910.134 "Compressor Operations for Breathing Air"
- Army Corps of Engineers EM385-1-1, Section 30.F.04.
- EN 12021:2014 Respiratory equipment. Compressed gases for breathing apparatus.
- AS/NZS 1715:2009 Selection, use and maintenance of respiratory protective equipment.

The GX4® can monitor the carbon monoxide and oxygen levels with the appropriate sensor cartridges installed, but additional air testing/sampling will be required to meet ANSI/

## TYPICAL SUPPLIED AIR SETUP



(Continued from page 4)

Compressed Gas Association Commodity Specification for Air, G-71-1989 Grade D or better air, EN 12021, or AS/NZS 1715 requirements. See Employer Responsibilities section for the other components that need to be sampled.

The RPB<sup>®</sup> GX4<sup>®</sup> when used with the Carbon Monoxide Sensor Cartridge 08-420-01 satisfies the requirements of OSHA rule 29 CFR 1910.134 for carbon monoxide monitoring.

# **GX4® GAS MONITOR**

## **AIR SOURCE, FITTINGS, AND PRESSURE**

### **AIR SOURCE**

Locate the air source being supplied to the respirator and being monitored by the GX4® in a clean air environment. Make sure the air source is somewhere that vehicles, forklifts, and other machinery are not running near the air inlet, as this will cause carbon monoxide to be drawn into your air supply.



### **DANGER**

Do not connect the respirator's air supply that is being monitored by the GX4® to nitrogen, toxic gases, inert gases or other non-breathable air sources. Check the air source before using the GX4® and the respirator. Connecting the supply hose to a non-breathable air source will result in serious injury or death.

### **AIR FILTRATION**

Always use a filter on the inlet of your air source as required by 29 CFR 1910.134(i). Refer to the compressor manufacturer's instruction manual for recommendations on setting up the compressor for breathing air and for suitable in-line air-purifying sorbent beds and filters. Always use suitable after coolers/dryers with filters.

Use the GX4® with an airline filter, such as the RPB® RADEX® Airline Filter 04-900. The monitor must be supplied with air free of oil and water to prevent contamination of the sensors. A micro-mist filter, such as the RPB® Micro Mist Filter 04-925, prior to the Radex air filtration system is recommended to protect the GX4® and the operator(s). Check with your local regulatory bodies for more information on local requirements.

### **REQUIRED AIR QUALITY MONITORING**

Check your local standards for requirements (see page 4).

- Air quality must be tested at the time of initial setup from the point of attachment (the airline filter outlet to the respirator).
- Breathing air quality should be continuously monitored and/or periodically tested for at least the following air components (Check your local standards for requirements, see page 4):
  - O<sub>2</sub> - Oxygen
  - CO<sub>2</sub> - Carbon Dioxide
  - CO - Carbon Monoxide
  - H<sub>2</sub>O - Water (Moisture Content)
  - Hydrocarbons (Oil Mist)
  - Total Particulates
- The GX4® monitors Carbon Monoxide and Oxygen when equipped with the correct sensors. Other components will need to be monitored separately.
- Retesting the air quality is recommended if the compressor is moved or if the compressor location or environment significantly changes.

## AIR PRESSURE



### WARNING

The air source supplied to the GX4® needs to be regulated between 7 to 80 PSI (50-550 kPa). Maximum air flow is achieved at 20 PSI. It is recommended to supply the GX4® with 15-20 PSI. **Max pressure is 80 PSI.**

The optional RPB® Regulator Assembly 08-470 can be used to regulate the air pressure going into the GX4®. If more than 80 PSI is supplied to the GX4® the low flow alarm will sound and there will not be enough air flow for the sensors to monitor the air.

## EMPLOYER RESPONSIBILITIES

Your specific responsibilities may vary by location and industry, but in general RPB® expects that employers will:

### ■ Follow all applicable standards and regulations for your location, industry, and activity.

Depending on your location and industry, a number of standards and regulations may apply to your selection and use of respirators and other personal protective equipment. There also may be requirements specific to particular contaminants, e.g. silica (see [rpbsafety.com/important-safety-information/](http://rpbsafety.com/important-safety-information/) for more information), asbestos, organic pathogens, etc. Know which requirements apply to your location and industry.

### ■ Have appropriate safety programs in place.

Have and follow:

- A workplace safety program.
- A written respiratory protection program in accordance with applicable standards and regulations.

### ■ In accordance with the above,

- Perform a hazard analysis and select appropriate equipment for each activity.** A hazard analysis should be performed by a qualified person. Controls should be in place as appropriate and a qualified person should determine what kind of respiratory protection is appropriate for the intended activities and environments of use. (For example, select gas sensor cartridges appropriate to the specific airborne hazards, with consideration of workplace and user factors.)

As applicable, check your workplace safety program, respiratory protection program, and standards and regulations for your activity or industry for related protection requirements, and see this manual (Protection Provided and Limitations, page 4) and the respirator Instruction Manual for product specifications.

- Be sure employees are medically qualified to use a respirator.**

Have a qualified physician or other licensed health care professional (PLHCP) perform medical evaluations using a medical questionnaire or an initial medical examination per OSHA 29 CFR 1910.134 or local standards as required.

## **EMPLOYER RESPONSIBILITIES CONTINUED**

**□ Train employees in the GX4®'s use, maintenance, and limitations.**

Appoint a qualified individual who is knowledgeable about the RPB® GX4® to provide training:

ANSI/ASSE Z88.2 Section 8.1 Qualifications of the Respirator Trainer. Anyone providing training shall:

- a) be knowledgeable in the application and use of the monitor(s);
- b) have practical knowledge in the selection and use of the monitor(s) and work practices at the site;
- c) have an understanding of the site's respirator program; and
- d) be knowledgeable of applicable regulations.

Train each GX4® user in the product's use, application, inspection, maintenance, storage, and limitations in accordance with the content of this Instruction Manual and the approved respirator Instruction Manual and standard or regulatory requirements. Ensure that each intended user reads each of these manuals.

**□ Ensure that equipment is properly set up, used, and maintained.**

Make sure that equipment is properly set up, inspected, fitted, used, and maintained, including selection of the appropriate gas sensor cartridge for the application.

**□ Make sure the area is ventilated and monitored:**

Ventilate and monitor the air in the work area as required by local standards and regulations.

**□ If you have any questions, contact RPB®.**

■ Call Customer Service Department at:

Tel: 1-866-494-4599

Email: [customerservice@rpbsafety.com](mailto:customerservice@rpbsafety.com)

Web: [rpbsafety.com](http://rpbsafety.com)



# PRODUCT USER SAFETY INSTRUCTIONS

## BEFORE INITIAL USE - BE TRAINED

Do not use this gas monitor until you have read this manual and the respirator Instruction Manual (additional copies available at [rpbsafety.com/resources/](http://rpbsafety.com/resources/)) and been trained in the monitor's use, maintenance, and limitations by a qualified individual (appointed by your employer) who is knowledgeable about the RPB® GX4® Gas Monitor.

## MAKE SURE THE SYSTEM IS READY FOR USE

Use only authentic RPB® brand parts and components. Using incomplete or inappropriate equipment, including the use of counterfeit or non-RPB® parts, can result in inadequate function. Do not modify or alter any part of this product.

**Inspect** all components daily for signs of damage or wear and tear that may reduce the level of function originally provided. Remove any damaged component or product from service until repaired or replaced.

**Make sure that the monitor is correctly assembled** in the configuration that suits your application.

## BEFORE USING THE GX4®:

### Make sure the area is ventilated and monitored:

Make sure that the area is well ventilated and that regular air samples are taken to confirm the atmosphere stays within the levels recommended by OSHA and other governing bodies.

If you have any questions, ask your employer.

**DO NOT USE THE GX4® IN THE WORK AREA** if any of the following conditions exist:

- The temperature is outside the range of 32°F to 113°F (0°C to +45°C).
- A flammable or explosive atmosphere is present; this product is NOT intrinsically safe.

## LEAVE THE WORK AREA IMMEDIATELY IF:

- Any product component becomes damaged.
- Airflow stops or slows down.
- The alarm in the GX4® or other alarm, such as a strobe and alarm, connected to the GX4® sounds. Check air source and wait until alarm mode stops. If it continues, verify sensor calibration or change your air source.

## PRODUCT CARE

- Never place the GX4® on hot surfaces. Do not apply paints, solvents, adhesives or self-adhesive labels except as instructed by RPB®. This product may be adversely affected by certain chemicals.
- Clean with mild detergent and a soft cloth or a cleaning wipe, being careful to avoid getting the monitor wet. See the "Maintenance" section for more specific cleaning instructions.
- Regular testing of the alarm and cartridges is required to detect system failures and calibration. Always wear hearing protection when testing the alarm.

# **GX4® GAS MONITOR**

## **PRODUCT USER SAFETY INSTRUCTIONS CONTINUED**

- Do not open the monitor casing. The unit will not work as intended if opened.
- Only remove replaceable parts as listed in the parts and accessories. Do NOT remove any part of the GX4®, especially the air inlet fitting or the power and auxiliary receptacles under any circumstances. Removing any part will void all warranties.
- Do not cover or disconnect the warning alarm that is inside of the unit.
- The unit must be returned to RPB® Safety to perform any repairs.

### **⚠ WARNING**

**Sensors cartridges may contain sulfuric acid or other hazardous chemicals which are poisonous and can cause burns or eyesight loss. Do not break open the sensor cartridge or crush it, as the chemicals inside may be released.**

## **SETUP AND OPERATION**

### **REGISTRATION**

Go to: [rpbsafety.com/product-registration/](http://rpbsafety.com/product-registration/) to register your GX4® and be notified of software updates and important product information.

### **UPDATES**

The GX4® firmware should be updated regularly to ensure you have access to the latest features and maintain compatibility with the latest cartridges. Check for updates every three months or when installing a new cartridge. Visit [rpbsafety.com/rpb-gx4-firmware-upgrade/](http://rpbsafety.com/rpb-gx4-firmware-upgrade/) for information on the latest software and how to upgrade your unit.

### **SENSOR CHECK**

Checks should be performed when a new cartridge is installed and monthly thereafter. This will insure the cartridge is within calibration and providing adequate protection.

Follow the Sensor Check instructions on page 22 to check the calibration of the cartridges. If the cartridge is no longer within calibration, follow the instructions for removing it and replace it with a new cartridge.

### **LOCATION**

Place the GX4® in a location that protects it from water, impact, and harmful contaminants as well as away from carbon monoxide or other contaminants that could interfere with the readings from the sensor cartridges (e.g., away from vehicles, forklifts and other machinery).

Ensure that the alarm can be easily heard in the work area over any other noise that may be present. It may be necessary to use an external alarm (see p. 16 for setup instructions.)

See mounting instructions on p. 13.

## WIFI CONNECTION

To utilize all of the features of the GX4®, it is recommended to connect it to the internet via the built-in wireless network transceiver. This connection allows easy firmware upgrades and the unit hosts a website available to devices on that network. Use the website to stream real-time gas levels, search through logs or print reports that can be used for safety records and meetings. This real-time monitoring does not replace the need for an audible of visual alarm the respirator wearer.

The GX4® can operate in two wireless modes. To select a mode in the Menu go to Network and then Mode. Use the arrow keys to switch between modes and press OK to select a mode. The unit will restart and resume operation in this network mode.

### HOTSPOT MODE:

Use to connect directly to your GX4® when you do not have access to an existing network.

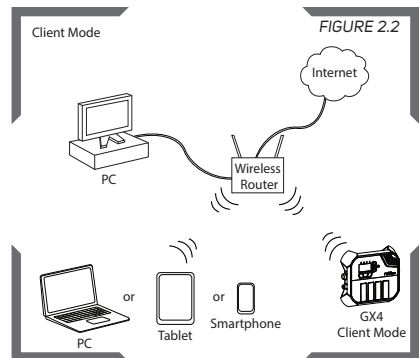
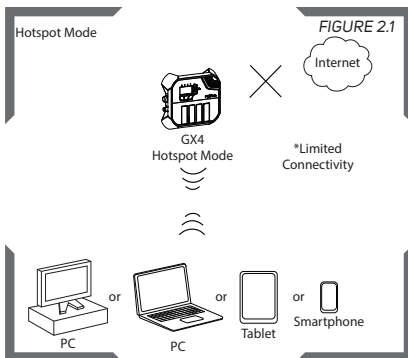
- The GX4® Hotspot Mode does not connect to the internet.
- Devices can only connect to one GX4® in Hotspot Mode at a time.
- For multiple GX4®s, disconnect from one before connecting to another.

Note: Although multiple devices can connect, the GX4® is not a router. When in Hotspot Mode your device can only communicate to the host GX4®.

### CLIENT MODE:

Use when you have access to a wireless network (IEEE 802.11 b/g/n).

- The GX4® must be connected to the same network as your PC/Tablet/Smartphone
- Access the GX4® website through your internet browser.
- Multiple GX4®s can be connected in Client Mode to the same network and each individual GX4® website can be viewed on a separate web browser page.



To configure your network see page 12.

# RPB GX4® GAS MONITOR

## SETUP AND OPERATION CONTINUED

### WEBSITE

The GX4® has an internal website that can be accessed by internet enabled devices. This allows the user to view information about the unit and change settings such as the network connection. This is your portal to access the full potential of the GX4®.

To access the website for your GX4® from your internet connected device:

#### IN HOTSPOT MODE:

- Browse to <http://192.168.1.3/>

#### IN CLIENT MODE:

- Locate the IP Address for your unit in the "About" menu.
- Make sure the GX4® and your internet enabled device are on the same network.
- Type the IP address into your internet browser, <http://<IP Address>/>

### FEATURES

The internal GX4® website provides the following features:

#### Dashboard Page

- Status of the unit (Power, Alarm, Auxiliary...)
- Power
- Air Supply
- Network Connection
- Auxiliary connection
- Links to logs, certificates and more
- Status of each cartridge
- Type of gas being monitored
- Current reading
- Last validation date
- Expiration date, and more

#### Logs

- Select a date(s) to view logs from
- Logs show events such as alarms, sensor checks, warnings, etc.
- Export visible logs as a CSV file for all logs or main events

#### Certificate of Calibration

- Printable report of the last sensor checks for each cartridge.
- To save as a PDF, use a PDF printer driver or a browser with PDF functionality.

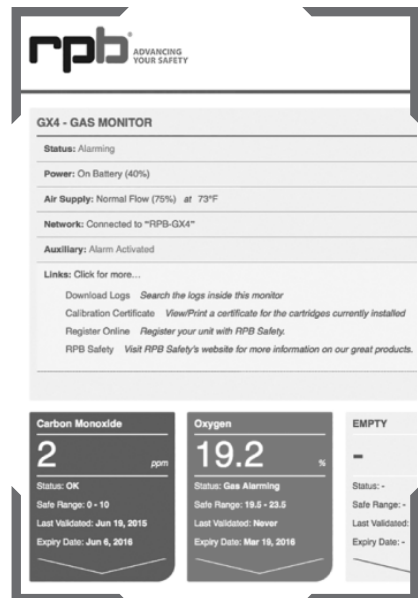


FIGURE 2.3

## UNIT SETUP

### MOUNTING TO A RADEX® FILTRATION UNIT

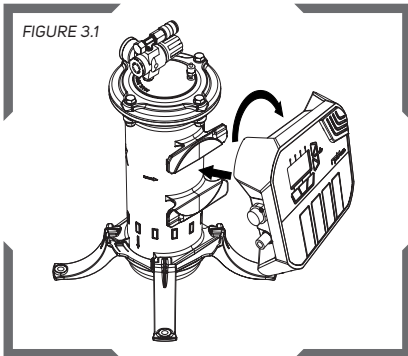


FIGURE 3.1

Position the monitor so that the green brackets on the back line up with the mounting bracket on the side of the RADEX®, turn clockwise until the monitor clicks into place.

### MOUNTING TO A WALL BRACKET

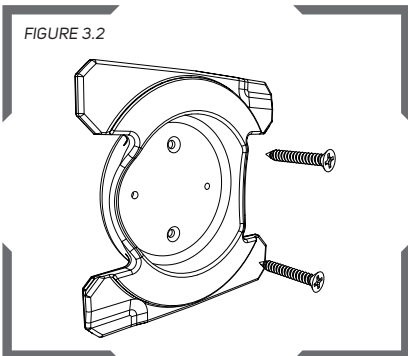


FIGURE 3.2

Use the wall bracket (P/N: 08-231) and appropriate screws to secure the wall mounting bracket to a suitable wall. The countersunk holes are 7/32" (5mm) and the smaller holes are 5/32" (4mm).

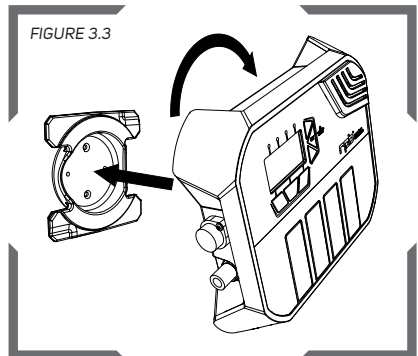


FIGURE 3.3

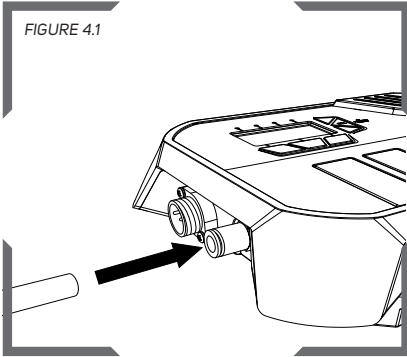
Position the monitor so that the green brackets on the back line up with the mounting bracket, turn clockwise until the monitor clicks into place.

# rpb GX4® GAS MONITOR

## SETUP AND OPERATION CONTINUED

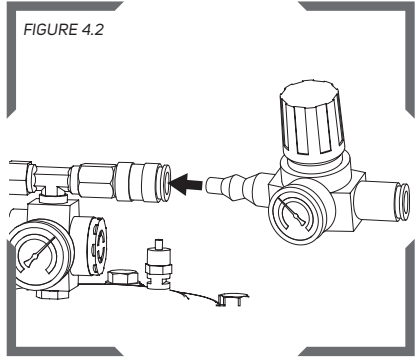
### CONNECT THE AIR SUPPLY

FIGURE 4.1



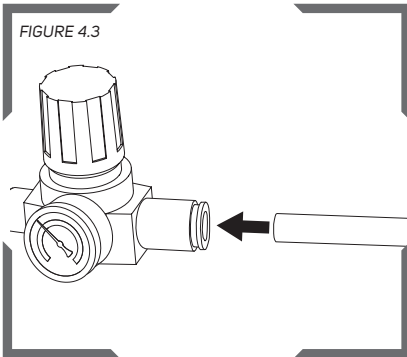
Insert the 3/8" O.D. Air Supply Hose 08-428 into the push-lock fitting on the left side of the monitor. To disconnect, press the outside ring of the push-lock and pull the hose out. Note: Hose can be trimmed to the desired length.

FIGURE 4.2



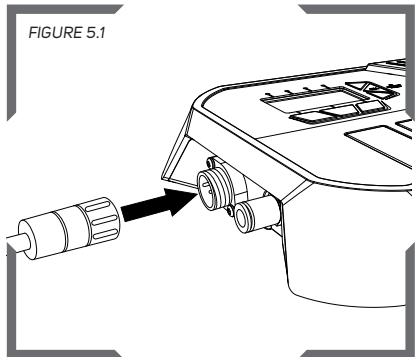
Connect the 08-470 regulator with Quick Disconnect fitting into one of the outlets on the Radex or other air source providing Grade D or better air. Regulate the air from the air source to between 7 to 80 PSI (50-550 kPa) with the 08-470 regulator. Maximum air flow is achieved at 20 PSI. It is recommended to supply the GX4® with 15-20 PSI. **Max pressure is 80 PSI.** Pressure above 80psi will close the regulator and there will be no airflow to the monitor.

FIGURE 4.3



Connect the free end of the 3/8" O.D. Air Supply Hose 08-428 into the one-touch fitting on the 08-470 regulator.

FIGURE 5.1



Connect the power supply by screwing it onto the receptacle on the left side of the unit (next to the air inlet fitting.) Plug the AC Adaptor into a power source.

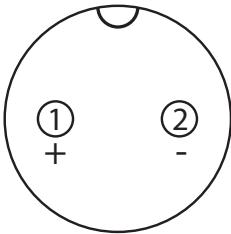


## WARNING

To reduce the risk of battery fire or explosion or of fire or electric shock with an external battery, follow the below electrical and battery precautions and procedures.

### WHEN USING A BATTERY:

FIGURE 5.2



Battery clips can be used on most 12V batteries, such as on a car or truck, or on a compressor. GX4® devices exposed to high voltages will be permanently damaged and will not be covered under the warranty. Surges on some equipment (particularly during startup/shutdown) can cause extremely high voltages. Do not connect the GX4® directly to 18V or 24V batteries. If you must connect to a battery higher than 12V, RPB® highly recommends using an appropriate DC-DC converter. A converter will also help protect against power surges

and is recommended for use with 12V batteries as well. Consult your automotive or industrial electrician for help with converter selection and setup.

To avoid startup power surges while using Battery Clips (08-431), only connect the battery clips when the vehicle or compressor is already running. Connect in the following order:

**1. Red** = +12V to the positive terminal of the battery.

**2. Black** =

- If connecting to a vehicle or a compressor: connect the black clip to a bare metal ground location on the vehicle or compressor.
- If connecting to a battery only: connect the black clip to the negative terminal of the battery.

Be sure to keep the GX4® as far away from the car, truck, or compressor exhaust as possible. Exhaust fumes can interfere with the measurements of the sensors, particularly when the air supply is not yet connected.



## WARNING

Refer to battery manufacturer and equipment manufacturer's instructions.

### Explosion Hazard

- Batteries emit explosive gasses during normal operation.
- Keep sources of ignition away.
- Work in a well-ventilated area
- Avoid contacting/bridging terminals with metal objects - this can create sparks and ignite gasses.

# RPL GX4® GAS MONITOR

## SETUP AND OPERATION CONTINUED

### Corrosive Chemicals can Injure Eyes and Skin

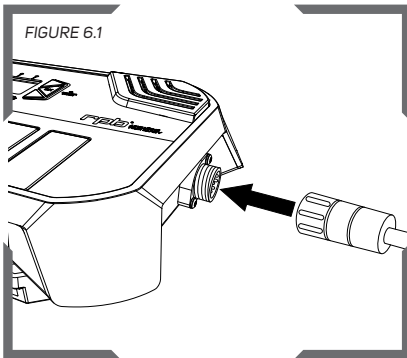
- Lead-Acid batteries contain sulfuric acid.
- Wear complete splash-proof eye protection, face shield and protective clothing such as apron and gloves when working near lead-acid batteries. Always have someone nearby for help.
- Have plenty of fresh water, soap and baking soda nearby for use, in case battery acid contacts your eyes, skin, or clothing. Wash immediately with soap and water and seek medical attention.
- If battery acid comes in contact with eyes, flush eyes immediately for a minimum 10 minutes and get medical attention.
- Neutralize any acid spills thoroughly with baking soda before attempting to clean up.

### Shock and burn hazard

- Remove all personal metal items from your body, such as rings, bracelets, necklaces and watches. A battery can produce a short circuit current high enough to weld a ring to metal, causing a severe burn.

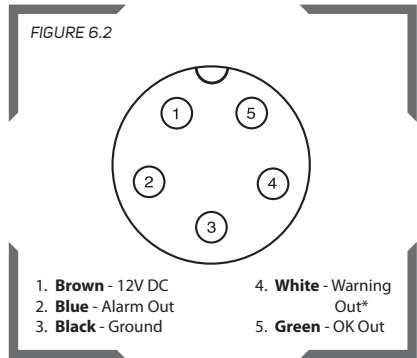
For more information, consult your automotive or industrial electrician.

### CONNECT THE EXTERNAL ALARM



If using an external alarm device, connect the plug into the auxiliary outlet. The use of an external alarm is recommended when the GX4® cannot be seen or heard by the operator. The external alarm should be located near the work area to alert the operators of the status.

Alternatively, the auxiliary can control a shut-off valve to the blasting nozzle, or to an auxiliary strobe and alarm.



To configure your own external device, use the bare end AUX cable (08-434). It is recommended to use a qualified electrician when wiring to ensure you do not damage the electrodes.

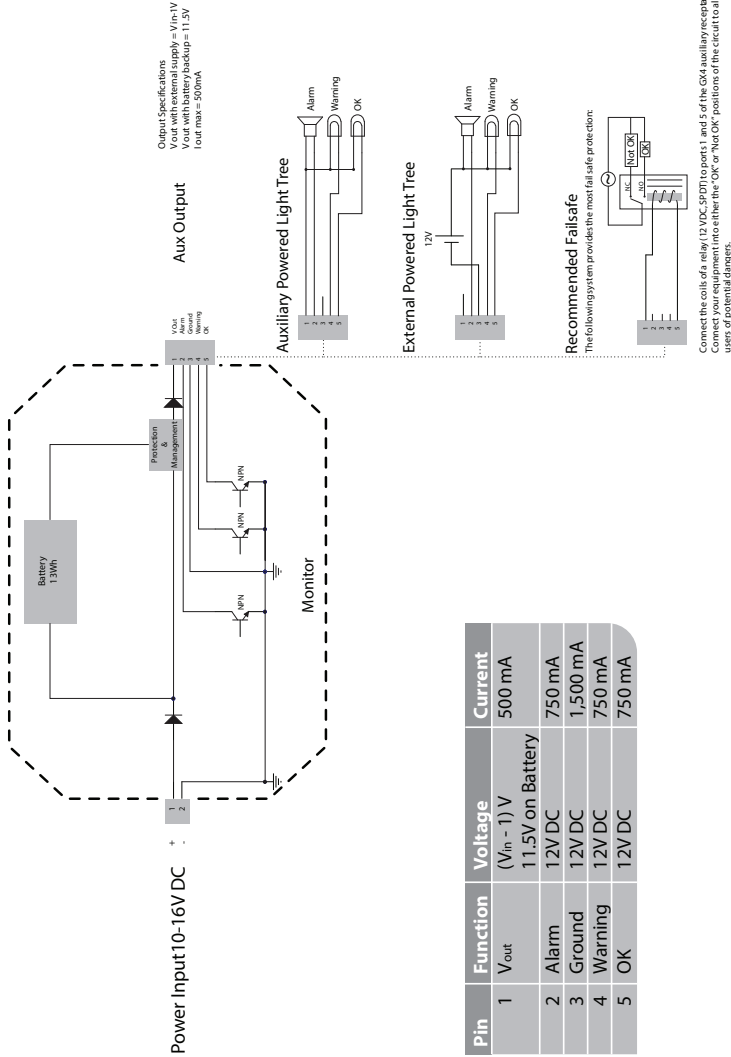
- Incorrectly wiring your auxiliary can permanently damage your unit.
- Always use a qualified electrician.
- Damage to the auxiliary is not covered under the manufacturer's warranty.

\*The Warning Out signal is for an external light tree or other warning device.



# EXTERNAL WIRING DIAGRAM

FIGURE 6.3

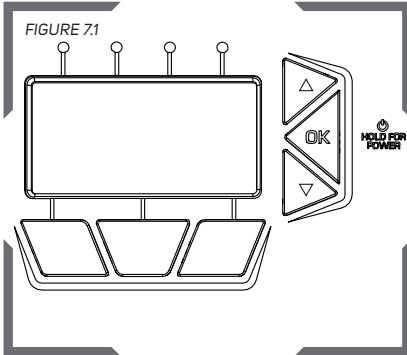


**Note:**  
 External ground must match that of the power supply. (08-430 has a floating ground, so will adjust to suit.)

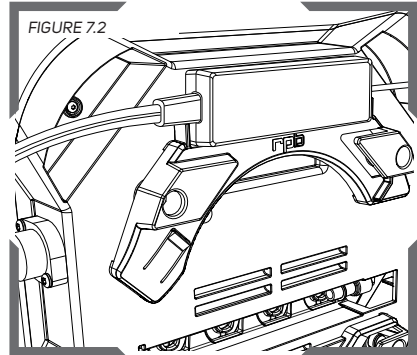
# rpb GX4<sup>®</sup> GAS MONITOR

## SETUP AND OPERATION CONTINUED

### POWER ON

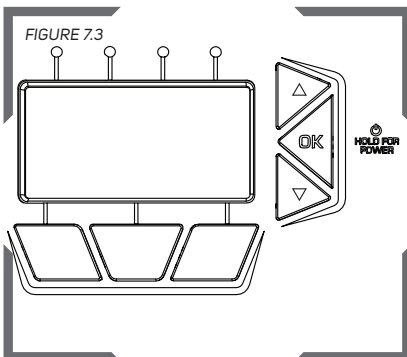


To turn the unit on, press and hold the "OK" button until the "rpb" logo appears on the screen.



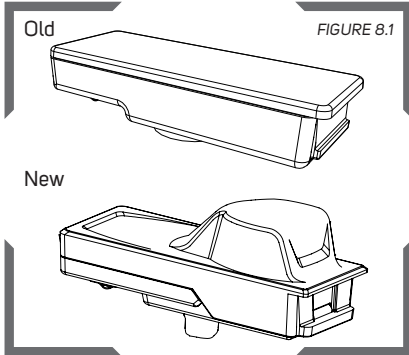
Tip: you can store the AC Adaptor between the tabs on top of the mounting bracket.

### POWER OFF



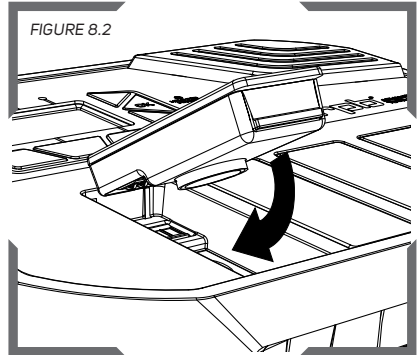
Press and hold the "OK" button and the unit powers down.

## GAS DETECTION CARTRIDGES



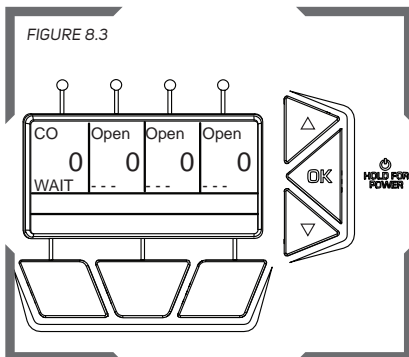
The gas detection sensors are supplied in individual cartridges. Select the cartridge for each gas you wish to detect at the correct alarm threshold for your region. (Some cartridges may look different than others, but will work the same.)

Visit [rpbsafety.com/air-monitoring-filtration-supply/gx4-gas-monitor](http://rpbsafety.com/air-monitoring-filtration-supply/gx4-gas-monitor) for a list of available sensors.

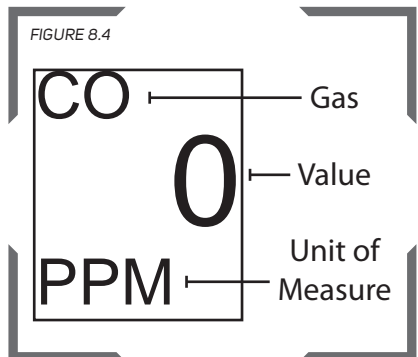


The unit can be on or off when inserting a cartridge. Make sure the contacts are clean before inserting a new cartridge. Rub the contacts in the monitor with your finger or a pencil eraser to make sure they are clean.

Insert the cartridge into any of the 4 slots in the monitor. First locate the top end so the tabs line up, then push the bottom until it clicks.



The cartridge will appear on the screen in the box that correlates to the slot it was placed in. The corresponding light above the screen will glow red or green to indicate the status. Instead of PPM, it will say "WAIT" until the cartridge is recognized.



Each cartridge is represented by a box on the home screen. Each box shows the gas type, units of measure and the current reading.

# rpb GX4<sup>®</sup> GAS MONITOR

## SETUP AND OPERATION CONTINUED

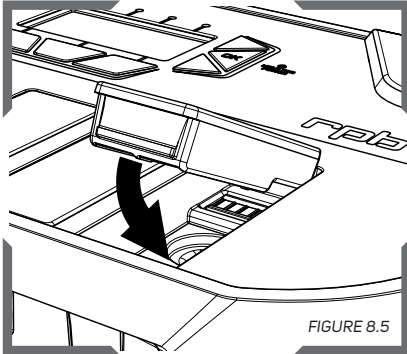


FIGURE 8.5

Each monitor comes with 3 blank cartridges. These should be placed into slots that are not currently being used to protect the contacts and air supply manifold.

### REMOVE CARTRIDGE

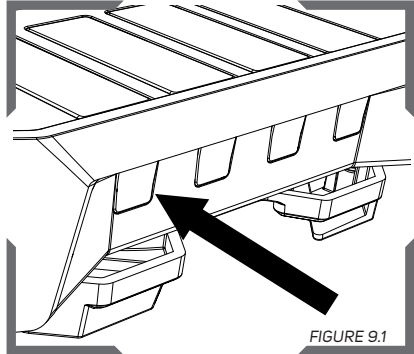


FIGURE 9.1

To remove a cartridge, press the corresponding release button and the cartridge will “pop up”.

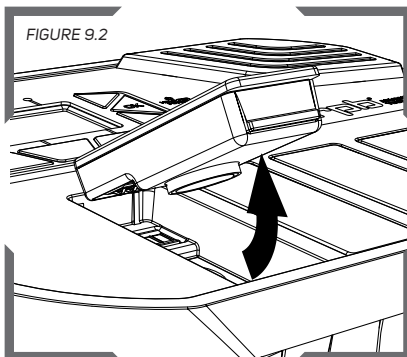


FIGURE 9.2

Lift the edge of the cartridge to remove it fully from the monitor. Replace with a new cartridge or a blank sensor cartridge.

When the cartridge is removed, a Warning will display on the screen. It will alarm after a countdown if the warning is not cleared before the countdown ends. Press the button below the word “REMOVE” and then confirm that the cartridge has been removed on the next screen by pressing the button below the word “OK” on the screen. Turning the unit off will not clear this Warning. The Warning will reappear when the unit is turned back on and it can be cleared at that time.

## MENUS

### About

Unit Status, Owner Information, Network, Power, and Device information. Owner information can be entered via the web interface.

### Device Information

Displays information such as:

- Serial Number
- Firmware Version
- UUID/MAC address

### Sensors

Sensor cartridge information on each.

Browse each cartridge for:

- Last date checked
- Expiration Date
- Type of gas sensor
- Safe/alarm range
- Date of Manufacture
- Total run time

More information about each cartridge can be found in the web interface.

### Sensor Check Wizard

Follow the on-screen prompts to check the calibration of your sensor cartridges.

### Network Settings

Configure a WiFi connection or change advanced IP settings.

When connecting the GX4® to a network you may be prompted to enter the network name (SSID) and the wireless password. If you do not know these, contact your network administrator or the documentation that came with your wireless router.

The IP settings are set automatically by default. To manually change the settings go to the network settings menu and enter the desired settings:

- IP Address
- Subnet Mask
- Default Gateway
- DNS Address

### Date

To ensure continuity of the logs, the date is automatically set by the server. The clock has a dedicated 10 year battery.

### Time

The time can be changed to display the current time zone and day light savings time. The logs are recorded in UTC/GMT and display according to your settings.

### Synchronize the Internal Clock

To correct the Time/Date of your GX4®:

- Connect your GX4® to the internet. It must be connected in "Client Mode". See p. 12 or contact RPB® for instructions.
- Navigate to Menu → System → Time & Units → Sync Time. Press "OK" to sync the time.

### Common errors:

- Unit offline: Your unit is not connected to a wireless network. Configure you unit into Client Mode.
- Unreachable: The GX4 was unable to contact the time service over your network.
- Time error: The time received was substantially different from the time on your unit. Contact RPB®.

Note: After synchronizing the time, your logs may appear out of order, but are still recorded in the order the events have actually occurred.

### Units

The units of measure can be changed between Metric and Imperial.

## **SETUP AND OPERATION CONTINUED**

### **Alarm and Auxiliary**

Test the alarm and check the status of the auxiliary.

### **Device Software**

Factory reset of firmware settings.

Note: Logs are not erased during a factory reset.

### **LOW FLOW SET POINT ADJUSTMENT**

When the system detects that the air flow rate to the sensors is too low, a warning is triggered on the monitor and a warning signal is sent through the auxiliary outlet's "Warning Out" connection, which can be used to trigger an external light tree or other device.

The detected flow rate's accuracy is affected by temperature and ambient air pressure (for example, due to elevation changes). To ensure that the low flow warning is triggered at the proper flow rate, the low flow set point should be adjusted according to the below procedures monthly, and whenever there is a temperature change of more than 30 F (15 C) or an elevation change of more than 1000ft (300m).

### **⚠ WARNING**

An incorrect low flow set point can result in no warning if adequate air flow is lost, increasing the risk of inadequate protection.

To adjust the low flow set point:

1. Turn on air flow and adjust the inlet pressure to 15-20psi.
  - a. Check that the flow reading is at least 50. If not, replace the manifold tube.
2. Turn off/disconnect all air flow to the GX4® and record the flow reading shown.
3. Turn on/connect the air flow to normal operating pressure, with all equipment attached and record the flow reading shown.
4. If these normal flow and no flow readings are less than 40 points apart, adjust the inlet pressure closer to 20psi and retest.
5. Once the readings are at least 40 points apart, change the low flow set point to be halfway between the two readings. The low flow set point can be adjusted in the menu at: System → Alarms → AUX Flow Threshold.

### **CHANGE GAS CONCENTRATION**

The expected gas concentration can now be altered to match the certificate of your gas bottle. When selecting the gas calibration wizard, select "Edit" then scroll up/down to adjust the concentration.

The monitor will alter the calibration of the cartridge to meet the expected value. Note, this will only make minor changes from the original setting.

When starting the calibration validation wizard, you will be prompted, "Re-calibrate sensors to match gas specification."

- If you select "Yes", the cartridge will be adjusted upon completion of each gas test.
- If you select "No", the wizard functions normally and only checks the sensors.

Sensors cannot be changed too far from their initial factory calibration and the amount varies by

sensor type. For example:

- CO sensor can be changed by -5% to +12.5%
- CO cannot adjust the "Zero" point
- O2 can be adjusted by +/- 0.2% O2 on the reading

This feature is only compatible with sensors of Version 2.0 or greater. You can find the version of the sensor in the sensor details menu.

## **ALARMS**

The alarm will sound in the following scenarios:

- Concentration of any gas being monitored exceeds the allowable limits set by the cartridge
- Software becomes unresponsive
- Air supply is lost or "low air flow" is detected
- Cartridge is missing
- Battery is low

The screen will display which gas and cartridge is detecting the alarm. Also, the light above the affected slot on the screen will turn red.

The alarm can be silenced by pressing the "Silence" hot key button under the screen. This will silence the alarm for 30 seconds. If the gas concentration is still above the allowable limit the alarm will sound again.

All alarms and silence events are recorded in the event logs.

It is recommended that an external alarm system be wired to the Auxiliary outlet.

## **BATTERY**

The GX4® is designed to be run on external power. It does have a built in Lithium Polymer battery that is intended for backup purposes in the event of a power failure.

The monitor can run for up to 10-12 hours on battery power. It is not recommended to run the GX4® on battery power regularly or for extended periods of time.

The status of the battery is shown on the home screen as per Fig. 11.1

## SETUP AND OPERATION CONTINUED

### **WARNING**

To reduce the risk of battery fire or explosion or of fire or electric shock with the charger, follow the below electrical and battery precautions and procedures:

FIGURE 10.1



Plugged In/  
Charging



Fully  
Charged



Battery  
Low

Note:

The unit requires 10 seconds to read the battery level after the unit is turned on.

### **Before plugging in:**

- Inspect the charger and power cords before use. Replace if any parts are damaged. Do not substitute, modify or add parts to the chargers. Do not attempt to service the chargers. There are no user-serviceable parts inside.
- Use only the provided charger and cord.

### **Where to plug in:**

Plug in only:

- indoors,
- in a dry area,
- away from sources of heat,
- away from anything that can burn if exposed to heat or flame,
- in a well-ventilated place,
- where the unit can be monitored and easily observed.

### **Charging**

The Power Supply is a universal 110-240 volt adaptor. The batteries are manufactured to last 350 charge cycles for peak performance. Full charging cycles take 4 hours.

### **Battery Care**

- Do not **USE** the unit outside the recommended temperature limits 14° F to 140° F (-10° C to 60° C).
- Do not **CHARGE** the unit outside the recommended temperature limits 32° F to 113° F (0° C to 45° C).
- Do not **STORE** the unit outside the recommended temperature limits 14° F to 113° F (-10° C to 45° C).
- Do not disassemble. Do not immerse in water or other liquids.

### **Battery and Charger Care**

- Use only the 08-430 Power Supply with correct region specific plug.
- If the unit or power supply gets excessively hot, discontinue use and allow them to cool.

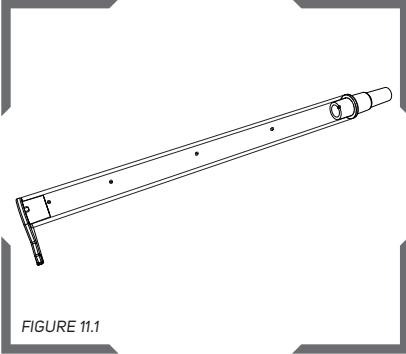
### **Disposal**

This unit contains a battery pack. Dispose of battery packs according to local regulations. Do not crush, disassemble, dispose of in standard waste bins, in a fire, or send for incineration. Failure to properly dispose of battery packs may lead to environmental contamination, fire or explosion. If you have any questions, ask your employer.

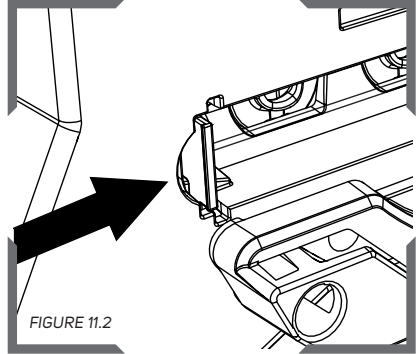


# MAINTENANCE

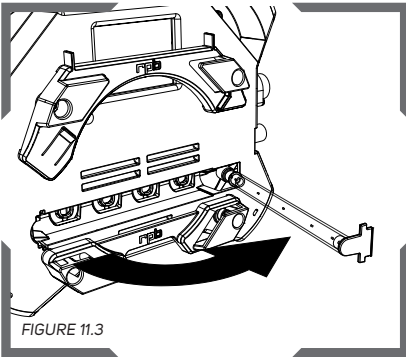
## MANIFOLD CHECK AND REPLACE



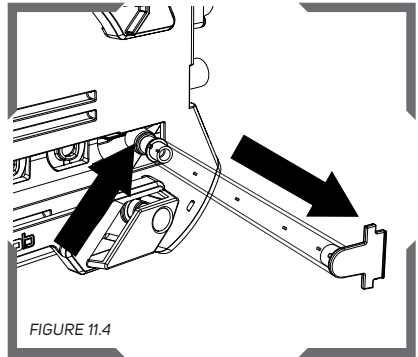
In the back of the GX4®, there is a manifold (to distribute the air to the sensors) comprised of a clear tube with end caps. This needs to be checked weekly to ensure it is clear of oil and debris. Note: Evidence of oil indicates an air supply issue that needs to be resolved.



To remove the manifold for inspection, press in the green clip so it can be pulled out through the notches of the monitor case.



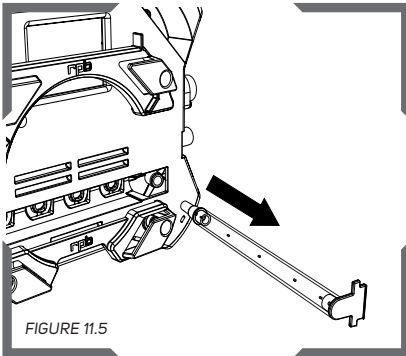
Rotate the manifold so it is sticking straight out from the back of the monitor.



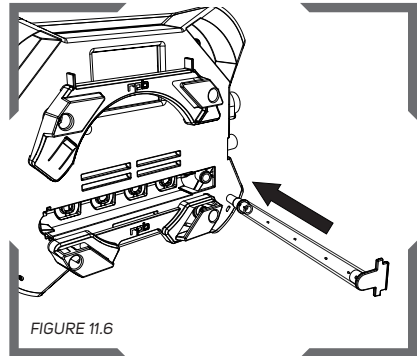
At the base of the manifold is a push-lock fitting with a green ring. Pull out the manifold while pushing on the ring.

# rpb GX4<sup>®</sup> GAS MONITOR

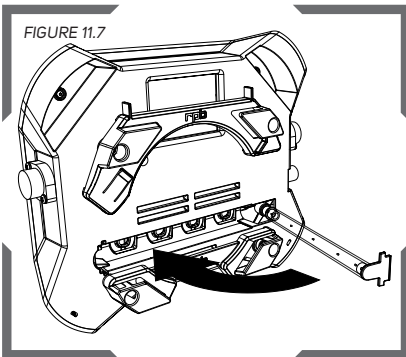
## MAINTENANCE CONTINUED



After removing the manifold, inspect it from all sides to make sure all of the holes are clear and that there is no oil or debris inside of the tube. **DO NOT DISASSEMBLE THE MANIFOLD.** If there is oil or debris inside of the manifold a replacement manifold (P/N: 08-422) must be used.

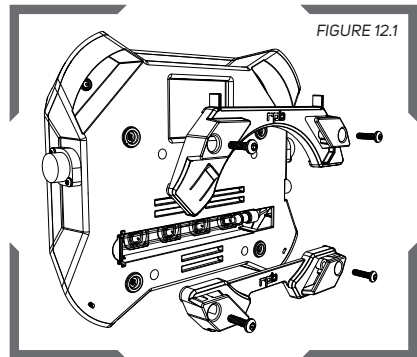


To replace the manifold, insert the tapered end into the green ring of the push-lock fitting inside the back of the monitor. Orient the holes in the manifold towards the sensors.



Rotate the manifold into the back of the monitor so the clip goes into the notches on the back of the monitor making sure it is securely clipped in with an audible “click”.

## REPLACE MOUNTING BRACKETS



If the Mounting Brackets (P/N: 08-425) break, you can replace them by removing the two screws securing each bracket. Remove the broken bracket and replace with a new bracket. Secure the new bracket with the provided (UNC 10-24 x 3/4”) screws.

## **CLEANING INSTRUCTIONS**

The GX4® should be kept clean to insure optimal performance. Different parts of the GX4® should be cleaned using these instructions:

### **Sensor Cartridge Contacts:**

The contacts on the unit and on the cartridges need to be kept clean. Clean dust and dirt off of the contacts with a dry paper towel or cloth. Occasionally clean the contacts with cotton swabs dipped in isopropyl alcohol. For black streaks from contacts rubbing, use a pencil eraser or a finger tip. If the cartridge is not registering when put into the GX4®, it is most likely the contacts need to be rubbed with a finger tip.

### **Keypad:**

Clean the keypad with mild household cleaner. For paint on the keypad, carefully clean with MEK or other paint cleaning agents. Be sure not to get MEK or other agents on the cartridge contacts or the cartridge sensors.

### **Sensors:**

If the white sensor in the cartridge is dirty, replace the cartridge with a new one. This should be checked monthly.

### **Sintered Brass Filters:**

If the inlet filter is dirty or clogged, replace it with a new one (08-429). (Do not remove the sintered brass filter from the Manifold Tube. If it is dirty or clogged replace the Manifold Tube (08-422). These should be checked weekly.

### **Power/AUX Receptacles:**

Spray with compressed air, clean the contacts following the contact cleaning instructions.

### **Alarm Siren:**

Spray with compressed air.

### **GX4® Housing/Cartridge Housing:**

Clean with mild household cleaner. For paint, wipe off with MEK or other paint cleaning agents.

## **SENSOR CHECK**

The gas sensor cartridges come pre-calibrated, but they should be checked monthly to ensure they are still calibrated within government regulations. Select "Menu" → "Sensors" → "Check Sensors", then follow the prompts on the display menu to run a Sensor Check on each cartridge.

You will need the following additional accessories:

- Zero Air Bottle (08-460) containing 20.9% Oxygen in Nitrogen.
- Control Air Bottle(s) specific to the gas of the cartridge(s) being checked.
- Calibration Kit (08-451) to connect the bottles to the GX4®.

## **MAINTENANCE CONTINUED**



### **WARNING**

Alarms will be disabled. You must confirm the monitor is not in use. Always store and use in a well ventilated area when working with compressed air and hazardous gases. Avoid contact with eyes, skin and clothing by wearing proper PPE, such as safety glasses and gloves. Refer to warnings and instructions on the gas bottles.

Calibration Gas should be supplied between 1 and 4slpm or via a pressure regulator. Using the 08-451 Regulator with 08-460, 08-461 and 08-462 Gas, up to 40 calibration checks can be performed.

The unit will confirm if the cartridge(s) are still in calibration or not. If the cartridge(s) pass, you may proceed to checking the next cartridge(s) or using the monitor. If the cartridge(s) are no longer in calibration, replace the cartridge(s) with a new one(s).

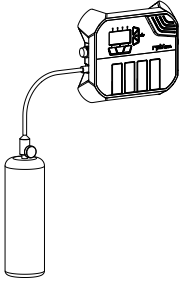
Sensor Checks are recorded into the Logs and Certificates can be generated using the web interface.

### **SENSOR CHECK OPERATION - CALIBRATION VALIDATION WIZARD**

DO NOT REMOVE THE CARTRIDGES DURING A SENSOR CHECK.

1. Disconnect air supply.
2. Press the "Menu" button.
3. Select "Sensors".
4. You will need: Zero Air: 08-460, Control Air (select depending on type of sensor being checked). Calibration Kit: 08-451
5. Ensure you are wearing proper P.P.E., such as safety glasses and gloves, and are in a well ventilated area.
6. Agree to disable the alarms.
7. Firmware V2.0.0 allows you to Auto-Adjust the cartridge. Follow prompts in the wizard and select Auto-Adjust or Validate Only. To proceed, select the appropriate touchpad.
8. Firmware V2.0.0 allows you to edit the concentration of the Gas. To proceed, follow prompts in the wizard and Select the appropriate touchpad and select the ppm.
9. Select Control Gas type.
10. Connect gas and open the valve.
11. Start the test.
12. Test pass or fail.
13. Close the valve and disconnect the Air.
14. Connect Zero Air and open the valve.
15. Close the valve and disconnect the Zero Air.
16. If the sensor failed, remove it from the unit and replace it with a new cartridge.
17. Reconnect to the air supply to resume regular operation.

FIGURE 13.1



Connect the test air bottles to the air inlet.

FIGURE 13.2

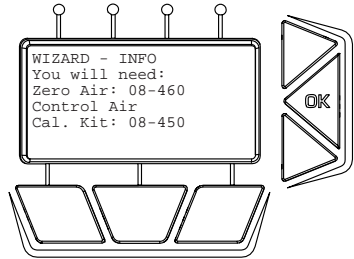


Figure 10.2 is an example of the on-screen display during a sensor check.

## CARTRIDGE REPLACEMENT

The Sensor Cartridges have a two year lifespan from their date of manufacture. After the expiration date their readings may be unreliable. A warning will pop-up on the GX4® when the cartridge is going to expire in 30 days and will reset every day until it expires. Once the cartridge expires a message will pop every 6 hours and the AUX will not output the OK signal.

Upon removal of a cartridge, a warning message will appear on the screen. If a response to this warning is not made within 30 seconds, the alarm will sound. This is a safety feature to detect a cartridge coming out of the unit unintentionally.

## MAINTENANCE SCHEDULE:

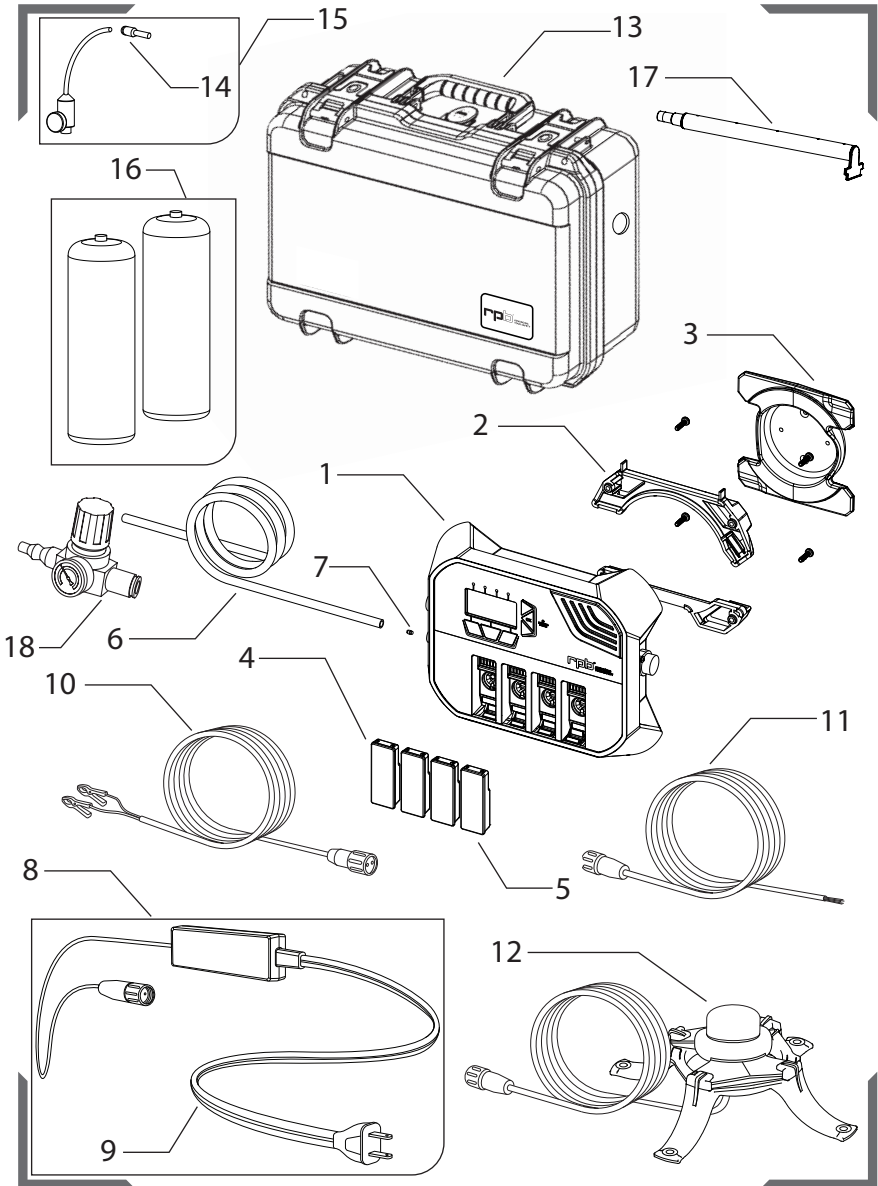
**Weekly:** Check the manifold tube, sintered bronze inlet filter

**Monthly:** Sensor Cartridges - clean contacts, calibration check

**Every 3 months:** Check for firmware updates (and when a new cartridge is installed)

# rpb GX4<sup>®</sup> GAS MONITOR

## PARTS AND ACCESSORIES FIGURE 14.1



## PARTS LIST

ITEM NUMBER	DESCRIPTION	PART NUMBER
1	GX4® Gas Monitor with mounting brackets	08-410
2	Mounting Brackets (Pair)	08-425
3	Wall Mounting Bracket	08-231
4	Carbon Monoxide Sensor (CO) 10ppm	08-420-01
	Carbon Monoxide Sensor (CO) 5ppm	08-420-02
	Hydrogen Sulfide Sensor (H <sub>2</sub> S) 10PPM	08-420-03
	Oxygen Sensor (O <sub>2</sub> ) 19.5-23.5%	08-420-04
5	Blank Cartridge	08-420
6	Air Supply Hose	08-428
7	M5 Inlet Filter, Sintered Brass	08-429
8	AC Adaptor and Power Cord - USA	08-430
	AC Adaptor and Power Cord- UK	08-430-UK
	AC Adaptor and Power Cord - AU/NZ	08-430-AU
	AC Adaptor and Power Cord- EU	08-430-EU
9	Power Cord - US	09-021
	Power Cord - UK	09-021-UK
	Power Cord - AU/NZ	09-021-AU
	Power Cord - EU	09-021-EU
10	Battery Clips	08-431
11	AUX Cable, Bare Ends w/50ft. Cable	08-434
12	AUX Strobe Light w/50ft. Cable	08-435
	AUX Strobe Light w/Alarm w/50ft. Cable	08-436
	AUX Field Install Jack	08-437
	Power Field Install Jack	08-438
13	Heavy Duty Field Case	08-424
14	Calibration Adaptor	08-450
15	Calibration Regulator Kit 1.5slpm, includes 08-450	08-451
16	34L Zero Air Cylinder	08-460
	Carbon Monoxide (CO) 20PPM Cylinder	08-461
	Hydrogen Sulfide (H <sub>2</sub> S) 20PPM Cylinder	08-462
17	Manifold Tube	08-422
18	Regulator Assembly	08-470
	Regulator Assembly with RZ fitting	08-470-RZ



### WARNING

**Use only exact, authentic RPB® replacement parts (marked with the RPB® logo and part number), and only in the specified configuration. Using incomplete or inappropriate equipment, including the use of counterfeit or non-RPB® parts, can result in inadequate protection.**

# **GX4® GAS MONITOR**

## **LIMITED WARRANTY**

RPB® warrants that its Products will be free from defects in materials and workmanship for one (1) year, subject to the terms of this limited warranty. The Products are sold only for commercial use, and no consumer warranties apply to the Products. This limited warranty is for the benefit of the original Product purchaser, and cannot be transferred or assigned. This is the sole and exclusive warranty provided by RPB®, and ALL CONDITIONS AND IMPLIED WARRANTIES (INCLUDING ANY WARRANTY OF MERCHANTABILITY OR FITNESS FOR A PARTICULAR PURPOSE) ARE EXCLUDED AND DISCLAIMED FROM WARRANTY COVERAGE. RPB's® limited warranty coverage does not apply to damage resulting from accident, improper use or misuse of the Products, wear and tear resulting from the normal use of the Products, or the failure to properly maintain the Products.

RPB's® limited warranty coverage runs from the original date of purchase of the Products, and applies only to warranted defects which first manifest themselves and are reported to RPB® within the warranty period. RPB® retains the right to determine to its reasonable satisfaction whether any claimed defect is covered by this limited warranty.

If a warranted defect occurs, RPB® will repair or replace the defective Product (or a component of the Product), in its sole discretion. This "repair or replacement" remedy is the sole and exclusive remedy under this limited warranty, and under no circumstances shall RPB's® liability under this limited warranty exceed the original purchase price for the Products (or the applicable component). RPB® has no responsibility for incidental or consequential damages, including loss of use, maintenance and other costs, and ALL INCIDENTAL AND CONSEQUENTIAL DAMAGES ARE EXCLUDED AND DISCLAIMED from this limited warranty. Contact RPB® to obtain warranty service. Proof of purchase must be provided to obtain warranty service. All costs of returning the Products to RPB® for warranty service must be paid by the purchaser.

RPB® reserves the right to improve its Products through changes in design or materials without being obligated to purchasers of previously manufactured Products.

## **LIABILITY**

RPB® Safety cannot accept any liability of whatsoever nature arising directly or indirectly from the use or misuse of RPB® Safety products, including purposes that the products are not designed for. RPB® Safety is not liable for damage, loss or expense resulting from the failure to give advice or information or the giving of incorrect advice or information, whether or not due to RPB® Safety's negligence or that of its employees, agents or subcontractors.



## NEDERLANDS

Raadpleeg de paginanummers van RADEX® Engels Gebruiksaanwijzing voor afbeeldingen en diagrammen.

### UITLEG VAN SIGNAALWOORDEN EN SYMBOLEN

De volgende signaalwoorden en veiligheidssymbolen worden in deze handleiding en op de productetiketten gebruikt:

#### **WAARSCHUWING**

**WAARSCHUWING** geeft een gevaarlijke situatie aan die, als deze niet wordt vermeden, kan resulteren in overlijden of ernstig letsel.

#### **GEVAAR**

**GEVAAR** geeft een gevaarlijke situatie aan die, als deze niet wordt vermeden, kan resulteren in overlijden of ernstig letsel.



#### **Lees de Gebruiksaanwijzing.**

Extra exemplaren van RPB® handleidingen kunnen gevonden worden op [rpbsafety.com](http://rpbsafety.com).

**RPB® Safety LLC is een ISO9001 gecertificeerd bedrijf.**

## INTRODUCTIE

De RPB® GX4®, model 08-400, test de kwaliteit van ademlucht op Koolmonoxide en andere gasen\*, afhankelijk van welke gas sensor patronen zijn geïnstalleerd. Ademlucht wordt constant door de bemonsterings slang naar de sensoren gevoerd voor continue analyse.

\*Bezoek [rpbsafety.com/air-monitoring-filtration-supply/gx4-gas-monitor](http://rpbsafety.com/air-monitoring-filtration-supply/gx4-gas-monitor) voor een lijst met beschikbare gas sensoren. Er zijn momenteel 3 verschillende sensoren beschikbaar. Er zijn er meer in ontwikkeling die in de toekomst worden vrijgegeven.

■ Huidige beschikbare sensoren: koolmonoxide, zuurstof, waterstofsulfide

Dit product moet te allen tijde worden geïnspecteerd en onderhouden in overeenstemming met deze gebruiksaanwijzing.

Zie BESCHERMING EN BEPERKINGEN (pagina 35) voor meer informatie.

#### **RPB® SAFETY - GLOBAL HEADQUARTERS**

2807 Samoset Rd, Royal Oak, MI 48073, USA.

T: 1-866-494-4599 F: 1-866-494-4509 E: [sales.us@rpbsafety.com](mailto:sales.us@rpbsafety.com) [rpbsafety.com](http://rpbsafety.com)

#### **RPB® SAFETY - APAC**

1 Ivan Jamieson Place, Christchurch Airport, Christchurch 8053 New Zealand.

T: +64-3-357-1761 F: +64-3-357-1763 E: [sales.nz@rpbsafety.com](mailto:sales.nz@rpbsafety.com) [rpbsafety.com](http://rpbsafety.com)

#### **RPB® SAFETY - EMEA**

T: +44-800-689-5031 E: [sales@rpbsafety.co.uk](mailto:sales@rpbsafety.co.uk) [rpbsafety.com](http://rpbsafety.com)

Copyright ©2019 RPB Safety, LLC. Alle rechten voorbehouden. Alle inhoud op deze website is beschermd door de Amerikaanse auteursrechtwetgeving en mag niet worden gereproduceerd, gedistribueerd, overgedragen, weergegeven, gepubliceerd of uitgezonden

# **GX4<sup>®</sup> GAS MONITOR**

zonder de voorafgaande schriftelijke toestemming van RPB Safety, LLC. U mag geen handelsmerk, auteursrecht of andere kennisgeving van kopieën van de inhoud wijzigen of verwijderen.

Alle handelsmerken, servicemerken en logo's die in deze publicatie worden gebruikt, zowel geregistreerd als niet-geregistreerd, zijn de handelsmerken, servicemerken of logo's van hun respectieve eigenaars. De groen met grijze kleurencombinatie is een geregistreerd handelsmerk van RPB Safety, LLC. Alle rechten op het intellectuele eigendom van RPB in deze publicatie, inclusief auteursrecht, handelsmerken, dienstmerken, bedrijfsgeheimen en octrooirechten, zijn voorbehouden. RPB Intellectueel Eigendom omvat elk octrooi, gepatenteerde artikelen, octrooiaanvragen, ontwerpen, industriële ontwerpen, auteursrechten, software, broncode, databaserechten, morele rechten, uitvindingen, technieken, technische gegevens, handelsgeheimen, knowhow, merken, handelsmerken, handelsnamen, slogans, logo's en ander gemeen recht en eigendomsrechten, al dan niet geregistreerd, die in het bezit zijn van, geheel of gedeeltelijk zijn ontwikkeld door of in licentie zijn gegeven door RPB Safety, LLC.

Neem voor technische ondersteuning contact op met onze Klantenservice: 1-866-494-4599 of e-mail: [customerservice@rpbafety.com](mailto:customerservice@rpbafety.com)

Formulier #: 7.20.533

Herziening: 4

## **BELANGRIJKE VEILIGHEIDSINFORMATIE**

 **WAARSCHUWING** Onjuiste selectie, pasvorm, gebruik of onderhoud van adembeschermingsproducten kan tot letsel leiden; levensbedreigende vertraagde long-, huid- of oogziekte; of de dood. Dit product is bedoeld voor beroepsmatig gebruik in overeenstemming met de geldende normen of voorschriften voor uw locatie, branche en werkzaamheid (zie Verantwoordelijkheden van de Werkgever, pagina 37). Bekendheid met normen en voorschriften met betrekking tot het gebruik van deze beschermende uitrusting wordt aanbevolen, ook als deze niet rechtstreeks op u van toepassing zijn. Raadpleeg de Verantwoordelijkheden van de Werkgever en de Veiligheidsinstructies voor de Gebruiker indien u als zelfstandige werkt of indien u deze producten gebruikt in een niet-beroepsmatige omgeving. Ga naar [rpbafety.com/important-safety-information/](http://rpbafety.com/important-safety-information/) voor nuttige links naar OSHA, EN en AS/NZS-normen en andere inhoud.

**Werkgevers:** Lees deze handleiding en de Gebruiksaanwijzing van het Ademluchttoestel en voer de Verantwoordelijkheden van de Werkgever uit (pagina 37).

**Productgebruikers:** Lees deze handleiding en de Gebruiksaanwijzing van het Ademluchttoestel en volg de Veiligheidsinstructies voor de Gebruiker op (pagina 38).

**Kijk op de website voor updates.** Producthandleidingen worden regelmatig bijgewerkt. Ga naar [rpbafety.com/resources/](http://rpbafety.com/resources/) voor de meest recente versie van deze handleiding voor gebruik van het product.

## BESCHERMING EN BEPERKINGEN

### ADEMLUCHT

De RPB® GX4® controleert het gasniveau in de ademlucht. Patronen zijn beschikbaar om koolmonoxide (5 of 10 ppm afhankelijk van de vereisten van uw regio), zuurstof en waterstofsulfide te detecteren. Ga naar [rpbsafety.com/air-monitoring-filtration-supply/gx4-gas-monitor](http://rpbsafety.com/air-monitoring-filtration-supply/gx4-gas-monitor) voor een lijst met beschikbare gassensoren. De GX4® verwijdert GEEN gassen uit de lucht.

### WAARSCHUWING

De RPB® GX4® is **NIET VOOR GEBRUIK** als:

- De temperatuur buiten het bereik van 0°C tot +45°C (32°F tot 113°F) valt.
- Er een ontvlambare of explosieve atmosfeer aanwezig is; dit product is niet intrinsiek veilig.

### NORMEN EN VOORSCHRIFTEN

De RPB® GX4® controleert of ademlucht voldoet aan de CGA D-Klasse specificaties voor luchtkwaliteit zoals gespecificeerd door OSHA, of deze overtreft. Raadpleeg de volgende normen en voorschriften, afhankelijk van de locatie waar de GX4® wordt gebruikt, voor meer informatie:

- ANSI /Compressed Gas Association Commodity Specification for Air, G-7.1-1989.
- Federale OSHA 29 CFR 1910.134 "Compressorbewerkingen voor Ademlucht"
- Army Corps of Engineers EM385-1-1, Paragraaf 30.F.04.
- EN 12021: 2014 Ademhalingsapparatuur. Gecomprimeerde gassen voor ademhalingsstoel.
- AS/NZS 1715: 2009 Selectie, gebruik en onderhoud van adembeschermingsmiddelen.

De GX4® controleert het koolmonoxide- en zuurstofgehalte als de juiste sensorpatronen geïnstalleerd zijn, maar aanvullende luchttesten/bemonstering zijn vereist om te voldoen aan de ANSI/Compressed Gas Association Commodity Specification for Air, G-7.1-1989 D-klasse of betere lucht, EN 12021 of AS/NZS 1715-vereisten. Zie het gedeelte Verantwoordelijkheden van de Werkgever voor de andere componenten die moeten worden bemonsterd.

De RPB® GX4® voldoet aan de vereisten van OSHA-regel 29 CFR 1910.134 voor koolmonoxidemonitoring wanneer deze wordt gebruikt met het Koolmonoxide Sensorpatroon 08-420-01.

## STANDAARD MONTAGE ADEMLUCHT

### AFBEELDING 1.1 OP PAGINA 5

1. Ademhalingsstoel Luchtkep (*Nova 3® Afgebeeld*)
2. Ademhalings slang en Regelaar
3. Ademluchtslang
4. Radex® Airline filtratie systeem
5. GX4® Gasmonitor

Bevestigingspunt

## **LUCHTBRON, FITTINGEN EN DRUK**

### **LUCHTBRON**

Positioneer de luchtbron van het ademhalingstoestel die door de GX4® wordt gecontroleerd in een omgeving met schone lucht. Zorg ervoor dat de luchtbron ergens is waar voertuigen, vorkheftrucks en andere machines niet in de buurt van de luchtinlaat aan staan, omdat hierdoor koolmonoxide in uw ademlucht wordt aangetrokken.

**⚠ GEVAAR** Sluit de luchttoevoer van het ademhalingstoestel dat op de GX4® is aangesloten niet aan op stikstof, giftige gassen, inerte gassen of andere niet-adembare luchtbronnen. Controleer de luchtbron voordat u de GX4® en het ademhalingstoestel gebruikt. Het verbinden van de ademluchtslang met een niet-adembare luchtbron zal resulteren in ernstig letsel of de dood.

### **LUCHTFILTRATIE**

Gebruik altijd een filter op de inlaat van uw luchtbron zoals vereist door 29 CFR 1910.134(i). Raadpleeg de gebruiksaanwijzing van de compressorfabrikant voor aanbevelingen over het opstellen van de compressor voor ademlucht en voor geschikte in-line luchtzuiverende sorptiebedden en filters. Gebruik altijd geschikte nakoelers/drogers met filters.

Gebruik de GX4® met een ademlucht filter, zoals de RPB® RADEX® Airline Filter 04-900. De monitor moet worden voorzien van lucht die vrij is van olie en water om besmetting van de sensoren te voorkomen. Een micro mist filter, zoals de RPB® Micro Mist Filter 04-925, voorafgaand aan het Radex® luchtfiltersysteem wordt aanbevolen om de GX4® en de gebruiker(s) te beschermen. Neem contact op met uw lokale toezichhoudende instanties voor meer informatie over lokale vereisten.

### **VEREISTE LUCHTKWALITEITSBEWAKING**

Zie uw lokale normen voor vereisten (zie pagina 36).

- De luchtkwaliteit moet worden getest ten tijde van de eerste montage bij het bevestigingspunt (de Airline Filter-uitlaat naar het ademhalingstoestel).
- De ademluchtkwaliteit moet continu worden gecontroleerd en/of worden getest op ten minste de volgende luchtcomponenten (controleer uw lokale normen voor vereisten, zie pagina 35):
  - O<sub>2</sub> - Zuurstof
  - CO<sub>2</sub> - Kooldioxide
  - CO - Koolmonoxide
  - H<sub>2</sub>O - Water (Vochtgehalte)
  - Koolwaterstoffen (Oliemist)
  - Totaal van Deeltjes
- De GX4® controleert Koolmonoxide en Zuurstof wanneer deze is uitgerust met de juiste sensoren. Andere componenten moeten afzonderlijk worden gecontroleerd.
- Opnieuw testen van de luchtkwaliteit wordt aanbevolen als de compressor wordt verplaatst of als de compressorlocatie of -omgeving aanzienlijk verandert.

## LUCHTDRIK



### **WAARSCHUWING**

De luchtbron die wordt geleverd aan de GX4® moet tussen 7 tot 80 PSI (50-550 kPa) gereguleerd worden.

Maximale luchtstroom wordt bereikt bij 20 PSI. Het wordt aanbevolen om 15-20 PSI naar de GX4® toe te voeren. **De maximale druk is 80 PSI.**

De optionele RPB® Regelaar 08-470 kan worden gebruikt om de luchtdruk die de GX4® binnengaat te reguleren. Als er meer dan 80 PSI wordt geleverd aan de GX4®, klinkt het alarm voor een lage flow en is er onvoldoende luchtstroom voor de sensoren om de lucht te controleren.

## VERANTWOORDELIJKHEDEN VAN DE WERKGEVER

Uw specifieke verantwoordelijkheden kunnen verschillen per locatie en branche, maar over het algemeen verwacht RPB® dat werkgevers:

### ■ **Alle geldende normen en voorschriften voor uw locatie, branche en werkzaamheid opvolgen.**

Afhankelijk van uw locatie en branche, kunnen een aantal normen en voorschriften van toepassing zijn op uw selectie en gebruik van ademhalingstoestellen en andere persoonlijke beschermende uitrusting. Deze kunnen bijvoorbeeld vereisten specifiek voor bepaalde verontreinigingen zijn, b.v. silica (zie [rpbsafety.com/important-safety-information/](http://rpbsafety.com/important-safety-information/) voor meer informatie), asbest, organische ziekteverwekkers, enz. Weet welke eisen van toepassing zijn op uw locatie en branche.

### ■ **Zorg voor geschikte veiligheidsprogramma's.**

Heb en volg:

- Een veiligheidsprogramma voor de werkplek.
- Een geschreven programma voor ademhalingsbescherming in overeenstemming met de van toepassing zijnde normen en voorschriften.

### ■ **In overeenstemming met bovenstaande,**

#### **Voer een gevarenanalyse uit en selecteer gepaste uitrusting voor elke werkzaamheid.**

Een bevoegd persoon moet een gevarenanalyse uitvoeren. Er moeten waar nodig controles plaatsvinden en een gekwalificeerd persoon moet bepalen welk soort ademhalingsbescherming geschikt is voor de beoogde werkzaamheden en gebruiksomstandigheden. (Selecteer bijvoorbeeld gas sensor patronen die geschikt zijn voor specifieke luchtverontreinigingen, rekening houdend met factoren op de werkplek en de gebruiker.)

Indien van toepassing, controleer uw veiligheidsprogramma op de werkplek, het programma voor ademhalingsbescherming en de normen en voorschriften voor uw werkzaamheid of branche voor gerelateerde beschermingsvereisten en raadpleeg deze handleiding (Bescherming en Beperkingen, pagina 4) en de Gebruiksaanwijzing van het ademhalingstoestel voor productspecificaties.

- Zorg ervoor dat werknemers medisch gekeurd zijn om een ademhalingstoestel te gebruiken.**

# **GX4® GAS MONITOR**

Laat een gekwalificeerde arts of andere bevoegde zorgverlener medische evaluaties uitvoeren met behulp van een medische vragenlijst of een standaard medisch onderzoek per OSHA 29 CFR 1910.134, EN 12021, AS/NZS 1715 of lokale normen zoals vereist.

**Train medewerkers in het gebruik, onderhoud en de beperkingen van de GX4®.**

Benoem een gekwalificeerd persoon met voldoende kennis over de RPB® GX4® om training te geven:

ANSI/ASSE Z88.2 Paragraaf 8.1 Kwalificaties van de Ademhalingstoestel-Trainer. Iedereen die training voor het ademhalingstoestel verzorgt, moet:

- a) goed geïnformeerd zijn over de toepassing en het gebruik van de monitor(en);
- b) praktische kennis toepassen bij de selectie en het gebruik van monitor(en) en werkmethoden op de werkplek;
- c) inzicht hebben in het programma voor ademhalingstoestellen van de werkplek; en
- d) kennis hebben van geldende regels.

Train elke GX4® gebruiker voor het gebruik, de toepassing, de inspectie, het onderhoud, de opslag, de pasvorm en de beperkingen van het product in overeenstemming met de inhoud van deze gebruiksaanwijzing en de handleiding van het ademhalingstoestel en de standaard- of regelgevingsvereisten. Zorg ervoor dat iedere beoogde gebruiker beide handleidingen leest.

**Zorg ervoor dat de uitrusting correct is gemonteerd, gebruikt en onderhouden.**

Zorg ervoor dat de uitrusting correct is gemonteerd, geïnspecteerd, gepast, gebruikt en onderhouden, inclusief selectie van het juiste gas sensor patroon voor de toepassing.

**Zorg ervoor dat de werkplaats goed geventileerd en gecontroleerd is:**

Ventileer en controleer de lucht in het werkgebied zoals vereist volgens lokale normen en voorschriften.

**Neem voor vragen contact op met RPB®.**

■ Bel de klantenservice:

Tel: 1-866-494-4599

E-mail: [customerservice@rpbsafety.com](mailto:customerservice@rpbsafety.com)

Web: [rpbsafety.com](http://rpbsafety.com)

## **VEILIGHEIDSLINSTRUCTIES VOOR DE GEBRUIKER**

### **VOOR HET EERSTE GEBRUIK - TRAINING**

Gebruik deze gasmonitor niet voor het lezen van deze handleiding en de gebruiksaanwijzing van het ademhalingstoestel (extra exemplaren beschikbaar op [rpbsafety.com/resources/](http://rpbsafety.com/resources/)) en training in het gebruik, het onderhoud en de beperkingen van de monitor door een gekwalificeerd persoon (benoemd door uw werkgever) die kennis heeft van de RPB® GX4® Gasmonitor.

### **CONTROLEER OF HET SYSTEEM GEBRUIKSKLAAR IS**

Gebruik alleen authentieke RPB®-merkonderdelen en -componenten. Het gebruik van onvolledige of ongepaste apparatuur, inclusief het gebruik van nagemaakte of niet-RPB®-onderdelen, kan leiden tot onvoldoende functioneren. Pas geen enkel deel van dit product aan, en verander niets.

**Inspecteer** alle componenten dagelijks op tekenen van beschadiging of slijtage die het

functioneringsniveau dat oorspronkelijk werd geleverd kunnen verminderen. Verwijder elk beschadigd onderdeel of product totdat deze gerepareerd of vervangen is.

**Zorg ervoor dat de monitor correct is gemonteerd** in de opstelling die bij uw toepassing past.

#### **VOOR GEBRUIK VAN DE GX4®:**

##### **Zorg ervoor dat de werkplaats goed geventileerd en gecontroleerd is:**

Zorg ervoor dat het gebied goed geventileerd is en dat er regelmatig luchtmonsters genomen worden om te bevestigen dat de atmosfeer binnen de aanbevolen niveaus van OSHA en andere bestuursorganen en normen blijft. Als u vragen heeft, stel deze aan uw werkgever.

**GEBRUIK DE GX4® NIET OP DE WERKPLAATS** als een van de volgende omstandigheden zich voordoet:

- De temperatuur ligt buiten het bereik van 0°C tot +45°C (32°F tot 113°F).
- Er is een ontvlambare of explosieve atmosfeer aanwezig; dit product is niet intrinsiek veilig.

##### **VERLAAT DE WERKPLAATS ONMIDDELIJK INDIEN:**

- Een component van het product beschadigd raakt.
- De luchttoevoer stopt of afneemt.
- Het alarm in de GX4® of een ander alarm dat aangesloten is op de GX4®, zoals een flitser met alarm, gaat af. Controleer de luchtbron en wacht tot het alarm stopt. Als dit doorgaat, controleer dan de kalibratie van de sensor of vervang uw luchtbron.

#### **ONDERHOUD**

- Plaats de GX4® nooit op hete oppervlakken. Breng geen verf, oplosmiddelen, kleefstoffen of zelfklevende etiketten aan, tenzij aan de hand van instructies van RPB®. Bepaalde chemicaliën kunnen schadelijk zijn voor dit product.
- Reinig met een mild reinigingsmiddel en een zacht doekje, en zorg ervoor dat de monitor niet nat wordt. Zie het gedeelte "Onderhoud" voor specifieke reinigingsinstructies.
- Regelmatig testen van het alarm en patronen is vereist om systeemstoringen en kalibratie te detecteren. Draag altijd gehoorbescherming bij het testen van het alarm.
- Open de behuizing van de monitor niet. Het apparaat doet het niet zoals het hoort als deze wordt geopend.
- Verwijder alleen vervangbare onderdelen zoals vermeld in 'Onderdelen en Accessoires'. Verwijder NOOIT onderdelen van de GX4®, met name onder geen enkele omstandigheid de luchtinlaatfitting of de voeding en hulpcontactdozen. Bij verwijdering van een onderdeel vervallen alle garanties.
- Dek het waarschuingsalarm aan de binnenkant van het apparaat niet af en koppel het niet los.
- Het apparaat moet worden teruggestuurd naar RPB® Safety om eventuele reparaties uit te voeren.



#### **WAARSCHUWING**

**Sensorpatronen kunnen zwavelzuur of andere gevaarlijke chemicaliën bevatten die giftig zijn en brandwonden of verlies van het gezichtsvermogen kunnen veroorzaken. Breek de sensorcartridge niet open en verpletter deze niet, omdat de chemicaliën binnenin dan mogelijk vrijkomen.**

## **MONTAGE EN GEBRUIK**

### **REGISTRATIE**

Ga naar: [rpbsafety.com/product-registration/](http://rpbsafety.com/product-registration/) om uw GX4<sup>®</sup> te registreren en op de hoogte te worden gehouden van software-updates en belangrijke productinformatie.

### **UPDATES**

De GX4<sup>®</sup> firmware moet regelmatig worden bijgewerkt om voor toegang tot de nieuwste functies te zorgen en om de compatibiliteit met de nieuwste patronen te behouden. Controleer elke drie maanden op updates of wanneer u een nieuw patroon installeert. Ga naar [rpbsafety.com/rpb-gx4-firmware-upgrade/](http://rpbsafety.com/rpb-gx4-firmware-upgrade/) voor informatie over de nieuwste software en over het upgraden van uw eenheid.

### **SENSOR CHECK**

Controles moeten worden uitgevoerd op het moment dat een nieuw patroon wordt geïnstalleerd en daarna elke maand. Dit zorgt ervoor dat het patroon gekalibreerd is en voldoende bescherming biedt.

Volg de instructies voor het controleren van de Sensor op pagina 22 om de kalibrering van de patronen te controleren. Als het patroon niet langer gekalibreerd is, volg de instructies om deze te verwijderen en vervang deze door een nieuw patroon.

### **LOCATIE**

Plaats de GX4<sup>®</sup> op een locatie waar deze beschermd is tegen water, stoten en schadelijke verontreinigingen, en weg van koolmonoxide of andere verontreinigende stoffen die de metingen van de sensorpatronen kunnen verstoren (bijv. Uit de buurt van voertuigen, vorkheftrucks en andere machines).

Zorg ervoor dat het alarm gemakkelijk hoorbaar is op de werkplaats; harder dan eventueel ander aanwezig geluid. Het kan nodig zijn om een extern alarm te gebruiken (zie pagina 44 voor montage-instructies.)

Zie montage-instructies op p. 42.

### **WIFI VERBINDING**

Als u alle functies van de GX4<sup>®</sup> wilt gebruiken, is het raadzaam om deze via de ingebouwde zendontvanger op het draadloze netwerk met internet te verbinden. Deze verbinding maakt eenvoudige firmware-upgrades mogelijk en het apparaat host een website die beschikbaar is voor apparaten die op dat netwerk aangesloten zijn. Gebruik de website om real-time gasniveaus te streamen, logs te doorzoeken of rapporten af te drukken die kunnen worden gebruikt voor veiligheidsrapporten en vergaderingen. Dit real-time monitoring vervangt niet de noodzaak van een hoorbaar visueel alarm voor de gebruiker van het ademhalingstoestel.

De GX4<sup>®</sup> kan in twee draadloze modi werken. Als u een modus in het menu wilt selecteren, gaat u naar Netwerk en vervolgens naar Modus. Gebruik de pijltoetsen om tussen modi te schakelen en druk op OK om een modus te selecteren. Het apparaat start opnieuw op en hervat gebruik in deze netwerkmodus.



### **HOTSPOT-MODUS:**

Gebruik om rechtstreeks verbinding te maken met uw GX4® wanneer u geen toegang heeft tot een bestaand netwerk.

- De GX4® Hotspot-Modus maakt geen verbinding met internet.
- Apparaten in de Hotspot-modus kunnen slechts met één GX4® tegelijk verbinding maken.
- Voor meerdere GX4®'s, verbreek de verbinding met de één voor verbinding te maken met een andere.

Let op: hoewel meerdere apparaten verbinding kunnen maken, is de GX4® geen router. In de Hotspot-modus kan uw apparaat alleen communiceren met de host GX4®.

*AFBEELDING 2.1 OP PAGINA 11*

Voor het configureren van uw netwerk, zie pagina 41.

### **WEBSITE**

De GX4® heeft een interne website die toegankelijk is voor apparaten met internet. Hier kan de gebruiker informatie over het apparaat bekijken en instellingen zoals de netwerkverbinding wijzigen. Dit is uw portal voor toegang tot het volle potentieel van de GX4®.

Om toegang te krijgen tot de website voor uw GX4® vanaf uw apparaat (dat op het internet is aangesloten):

#### **IN DE HOTSPOT-MODUS:**

- Ga naar <http://192.168.1.3/>

#### **IN CLIENT-MODUS:**

- Zoek het IP-adres voor uw apparaat op in het "Info"-menu.
- Zorg ervoor dat de GX4® en uw apparaat met internettoegang aan hetzelfde netwerk zijn verbonden.
- Typ het IP-adres in uw internetbrowser, <http://<IP-adres>>

### **FUNCITIES**

De interne GX4®-website biedt de volgende functies:

#### **Dashboardpagina**

*AFBEELDING 2.3 OP PAGINA 12*

- Status van het apparaat (Voeding, Alarm, Hulp...)
- Aan/Uit

### **CLIENT-MODUS:**

Gebruiken wanneer u toegang heeft tot een draadloos netwerk (IEEE 802.11 b/g/n).

- De GX4® moet op hetzelfde netwerk zijn aangesloten als uw PC/Tablet/Smartphone.
- Bezoek de GX4®-website via uw internetbrowser.
- Meerdere GX4®'s kunnen in de Client-modus op hetzelfde netwerk worden aangesloten en elke afzonderlijke GX4®-website kan op een afzonderlijke webbrowserpagina worden bekeken.

*AFBEELDING 2.2 OP PAGINA 11*

# **GX4® GAS MONITOR**

- Luchttoevoer
- Netwerkverbinding
- Hulpverbinding
- Links naar logboeken, certificaten en meer
- Status van elk patroon
- Type gas dat wordt gecontroleerd
- Huidige meting
- Laatste valideringsdatum
- Vervaldatum, en meer

## **Logboeken**

- Selecteer een datum/data om te bekijken in de logboeken
- Logboeken tonen gebeurtenissen zoals alarmen, sensorcontroles, waarschuwingen, enz.
- Exporteer zichtbare logs als een CSV-bestand voor alle logboeken of hoofdgebeurtenissen

## **Kalibratiecertificaat**

- Afdrukbaar rapport van de laatste sensorcontrole van elk patroon.
- Om op te slaan als PDF, gebruik een PDF-printer driver of een browser met PDF-functie.

## **MONTAGE**

### **MONTAGE OP EEN RADEX® FILTRATIE EENHEID**

#### *AFBEELDING 3.1 OP PAGINA 13*

Plaats de monitor zo dat de groene beugels op de achterkant uitkomen bij de bevestigingsbeugel aan de zijkant van de RADEX®, draai met de klok mee totdat de monitor op zijn plaats klikt.

### **BEVESTIGING OP EEN MUURBEUGEL**

#### *AFBEELDING 3.2 OP PAGINA 13*

Gebruik de muurbeugel (P/N: 08-231) en de juiste schroeven om de bevestigingsbeugel aan een geschikte muur te bevestigen. De verzonken gaten zijn 7/32" (5 mm) breed en de kleinere gaten zijn 5/32" (4 mm) breed.

#### *AFBEELDING 3.3 OP PAGINA 13*

Plaats de monitor zodanig dat de groene haakjes op de achterkant uitkomen bij de bevestigingsbeugel, draai deze met de klok mee totdat de monitor vastklikt.

### **VERBIND DE ADEMLUCHT**

#### *AFBEELDING 4.1 OP PAGINA 14*

Plaats de 3/8" O.D. Ademluchtslang 08-

428 in de push-lock fitting aan de linkerkant van de monitor. Om te ontkoppelen, druk op de buitenring van de push-lock en trek de slang los. Opmerking: de slang kan op de gewenste lengte worden bijgesneden.

#### *AFBEELDING 4.2 OP PAGINA 14*

Verbind de 08-470 regelaar met de Snelkoppeling in een van de uitlaten op de Radex of een andere luchtbron die Klasse D of betere lucht levert. Reguleer de lucht van de luchtbron tot tussen de 7 en 80 PSI (50-550 kPa) met de 08-470 regelaar. Maximale luchttoevoer wordt bereikt bij 20 PSI. Het wordt aanbevolen om de GX4® te voorzien van 15-20 PSI. **De maximale druk is 80 PSI.** Druk boven 80 PSI zal de regelaar sluiten en er zal geen luchttoevoer naar de monitor zijn.

#### *AFBEELDING 4.3 OP PAGINA 14*

Verbind het vrije uiteinde van de 3/8" O.D. Ademluchtslang 08-428 in de one-touch fitting op de 08-470 regelaar.

### **DE VOEDING AANSLUITEN**

#### *AFBEELDING 5.1 OP PAGINA 14*

Sluit de voeding aan door deze op

de aansluiting aan de linkerkant van het apparaat te schroeven (naast de luchtinlaatfitting.) Sluit de AC-adapter aan op een stroombron.



## **WAARSCHUWING**

**Volg de onderstaande voorzorgsmaatregelen en procedures voor elektriciteit en batterijen om het risico op brand, explosie van de batterij of een elektrische schok van een externe batterij te verminderen.**

### **BIJ GEBRUIK VAN EEN BATTERIJ:**

*AFBEELDING 5.2 OP PAGINA 15*

Batterijklemmen kunnen op de meeste 12V-batterijen worden gebruikt, zoals op een auto of vrachtwagen of op een compressor. GX4® apparaten die zijn blootgesteld aan hoge spanningen raken permanent beschadigd en vallen niet onder de garantie. Stroomstoten op sommige apparatuur (met name tijdens het opstarten/uitschakelen) kunnen extreem hoge spanningen veroorzaken. Sluit de GX4® niet rechtstreeks aan op 18V- of 24V-batterijen. Om verbinding te maken met een batterij die hoger is dan 12V, raadt RPB® ten zeerste aan een geschikte DC-DC-omvormer te gebruiken. Een omvormer zal ook helpen beschermen tegen stroomstoten en wordt ook aanbevolen voor gebruik met 12V-batterijen. Raadpleeg uw elektriciën voor hulp bij het selecteren en instellen van de omvormer.

Om bij het gebruik van Batterijklemmen (08-431) stroomstoten tijdens het opstarten te voorkomen, sluit de batterijklemmen pas aan wanneer het apparaat of de compressor al aan staat. Maak verbinding in de volgende volgorde:

**1. Rood** = + 12V naar de pluspool van de batterij.

**2. Zwart** =

- Bij aansluiting op een voertuig of een compressor: sluit de zwarte clip aan op een blootgestelde metalen aarding op het voertuig of de compressor.
- Bij aansluiting op enkel een batterij: sluit de zwarte klem aan op de minpool van de batterij.

Zorg ervoor dat de GX4® zo ver mogelijk van de uitlaat van de auto, vrachtwagen of compressor is verwijderd. Uitlaatgassen kunnen de metingen van de sensoren beïnvloeden, vooral wanneer de luchttoevoer nog niet is aangesloten.



## **WAARSCHUWING**

**Raadpleeg de instructies van de batterijfabrikant en de apparatuurfabrikant.**

### **Explosiegevaar**

- Bij normaal gebruik geven Batterijen explosieve gassen af.
- Houd ontstekingsbronnen uit de buurt.
- Werk in een goed geventileerde ruimte.
- Vermijd contact met/overbrugging van de polen met metalen voorwerpen - dit kan vonken veroorzaken en gassen ontsteken.

## **Corrosieve Chemicaliën kunnen Ogen en Huid Beschadigen.**

- Loodzuurbatterijen bevatten zwavelzuur.
- Draag een volledig spatwaterdichte oogbescherming, gezichtsbescherming en beschermende kleding, zoals een schort en handschoenen, wanneer u in de buurt van loodzuurbatterijen werkt. Zorg dat er altijd iemand in de buurt is voor hulp.
- Zorg dat u voldoende zoet water, zeep en zuiveringszout bij de hand hebt voor het geval batterijzuur in contact met uw ogen, huid of kleding komt. Was onmiddellijk met zeep en water en zoek medische hulp.
- Als batterijzuur in contact komt met de ogen, spoel de ogen onmiddellijk gedurende minimaal 10 minuten en raadpleeg een arts.
- In het geval van morsen, neutraliseer het zuur grondig met zuiveringszout voordat u probeert schoon te maken.

## **Gevaar voor schokken en brandwonden**

- Verwijder alle persoonlijke metalen voorwerpen van uw lichaam, zoals ringen, armbanden, kettingen en horloges. Een batterij kan een kortsluitstroom produceren die hoog genoeg is om een ring op metaal te lassen, wat een ernstige brandwond veroorzaakt.

Neem voor meer informatie contact op met uw elektriciens.

## **SLUIT HET EXTERNE ALARM AAN**

### *AFBEELDING 6.1 OP PAGINA 16*

Als u een extern alarmapparaat gebruikt, steek de stekker in de hulpvoeding (AUX). Het gebruik van een extern alarm wordt aanbevolen als de GX4® niet door de gebruiker kan worden gezien of gehoord. Het externe alarm moet zich in de buurt van de werkplaats bevinden om de gebruikers op de hoogte te kunnen stellen.

Als alternatief kan de hulpvoeding een afsluitklep naar het straalmondstuk sturen of een hulpflitser en alarm.

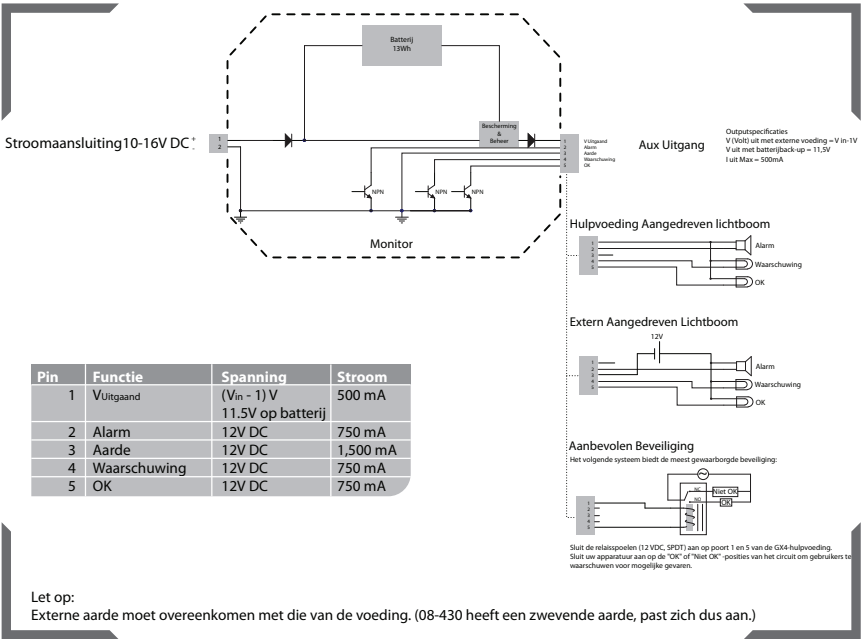
### *AFBEELDING 6.2 OP PAGINA 16*

- 1. BRUIN** - 12V DC
- 2. BLAUW** - UITGAAND ALARM
- 3. ZWART** - AARDE
- 4. WIT** - UITGAANDE WAARSCHUWING
- 5. GROEN** - UITGAAND OK

Om uw eigen externe apparaat te configureren, gebruik de AUX-kabel met het kale einde (08-434). Het wordt aanbevolen om een gekwalificeerde elektricien te gebruiken tijdens de bedrading om ervoor te zorgen dat de elektroden niet beschadigen.

- Onjuist bedraden van uw hulpvoeding (AUX) kan uw apparaat permanent beschadigen.
- Gebruik altijd een gekwalificeerde elektricien.
- Schade aan de hulpvoeding wordt niet gedekt door de fabrieksgarantie.

\*Het Witte Waarschuwingssignaal is voor een externe lichtboom of een ander waarschuwingsapparaat.



AFBEELDING 6.3 OP PAGINA 17

## INSCHAKELEN

### AFBEELDING 7.1 OP PAGINA 18

Om het apparaat in te schakelen, houd de knop "OK" ingedrukt tot het "rpb"-logo op het scherm verschijnt.

### AFBEELDING 7.2 OP PAGINA 18

Tip: De AC-adapter kan tussen de lipjes boven op de bevestigingsbeugel opgeborgen worden.

## UITSCHAKELEN

### AFBEELDING 7.1 OP PAGINA 18

Houd de "OK" -knop ingedrukt en het apparaat wordt uitgeschakeld.

## GASDETECTIEPATRONEN

### AFBEELDING 8.1 OP PAGINA 19

Oud / Nieuw

De gasdetectie sensoren worden geleverd in afzonderlijke patronen. Selecteer voor elk gas dat u wilt detecteren het patroon met de juiste alarmdrempel voor uw regio.

(Sommige patronen zien er mogelijk anders uit dan andere, maar zullen hetzelfde werken.)

Ga naar [rpbsafety.com/product/gx4-gas-monitor/](http://rpbsafety.com/product/gx4-gas-monitor/) voor een lijst met beschikbare sensoren.

### AFBEELDING 8.2 OP PAGINA 19

Het apparaat kan aan of uit staan bij het plaatsen van een patroon. Zorg dat de contacten schoon zijn voordat u een nieuw patroon plaatst. Wrijf de contacten op de monitor met uw vinger of een potloodgum schoon om ervoor te zorgen dat deze schoon zijn.

Plaats het patroon in een van de 4 sleuven op de monitor. Plaats eerst het bovenste uiteinde zodat de lipjes op één lijn staan en druk vervolgens de onderkant vast totdat deze klikt.

# **GX4® GAS MONITOR**

## *AFBEELDING 8.3 OP PAGINA 19*

Het patroon verschijnt op het scherm in het vak dat overeenkomt met de sleuf waarin deze was geplaatst. Het bijbehorende lampje boven het scherm licht rood of groen op om de status aan te geven. In plaats van PPM, staat er "WAIT" totdat het patroon wordt herkend.

## *AFBEELDING 8.4 OP PAGINA 19*

- Gas
- Waarde
- Maateenheid

Elk patroon wordt weergegeven door een vak op het startscherm. Elk vak toont het soort gas, maateenheden en de huidige meetwaarde.

## *AFBEELDING 8.5 OP PAGINA 20*

Elke monitor wordt geleverd met 3 lege patronen. Deze moeten in gleuven worden geplaatst die momenteel niet worden gebruikt om de contacten en het ademlucht-spruitstuk te beschermen.

## **VERWIJDER PATROON**

### *AFBEELDING 9.1 OP PAGINA 20*

Als u een patroon wilt verwijderen, druk op de bijbehorende ontgrendelknop om het patroon te laten 'losklikken'.

### *AFBEELDING 9.2 OP PAGINA 20*

Til de rand van het patroon op om deze volledig uit de monitor te verwijderen. Vervang door een nieuw patroon of een leeg sensorpatroon.

Wanneer het patroon is verwijderd, verschijnt er een waarschuwing op het scherm. Na het aftellen gaat het alarm af als de waarschuwing niet is gewist voordat het aftellen eindigt. Druk op de knop onder het woord "REMOVE" en bevestig vervolgens in het volgende scherm dat het patroon is verwijderd door op de knop onder het woord "OK" op het scherm te

drukken. Als u het apparaat uitschakelt, wordt deze waarschuwing niet gewist. De waarschuwing verschijnt opnieuw wanneer het apparaat weer wordt ingeschakeld en deze kan op dat moment gewist worden.

## **MENU'S**

### **Over**

Status van het apparaat, Informatie over de Eigenaar, Netwerk, Voeding en Apparaat-informatie. Informatie over de Eigenaar kan via de webinterface worden ingevoerd.

### **Gegevens van het Apparaat**

Geeft informatie weer zoals:

- Serienummer
- Firmware Versie
- UUID/MAC-adres

### **Sensoren**

Informatie over ieder Sensorpatroon.

Bekijk voor elk patroon:

- Laatste gecontroleerd op (datum)
- Vervaldatum
- Soort gassensor
- Veilig/alarmbereik
- Productiedatum
- Totale looptijd

Meer informatie over elk patroon is op de webinterface te vinden.

### **Sensorcontrole Wizard**

Volg de aanwijzingen op het scherm om de kalibratie van uw sensorpatronen te controleren.

### **Netwerkinstellingen**

Configureer een WiFi-verbinding of wijzig geavanceerde IP-instellingen.

Wanneer u de GX4® op een netwerk aansluit, wordt u mogelijk gevraagd de netwerknaam (SSID) en het wifi wachtwoord in te voeren. Als u deze niet weet, neem dan contact op met uw netwerkbeheerder of check de

documentatie die bij uw draadloze router werd geleverd.

De IP-instellingen worden standaard automatisch ingesteld. Om de instellingen handmatig te wijzigen, ga naar het netwerkinstellingen-menu en voer de gewenste instellingen in:

- IP adres
- Subnetmasker
- Standaard gateway
- DNS-adres

### **Datum**

Om de continuïteit van de logboeken te garanderen, wordt de datum automatisch door de server ingesteld. De klok heeft een speciale 10-jarige batterij.

### **Tijd**

De tijd kan worden gewijzigd om de huidige tijdzone en zomer- of wintertijd weer te geven. De logboeken worden vastgelegd in UTC/GMT en worden weergegeven volgens uw instellingen.

### **Synchroniseer de Interne Klok**

Om de Tijd/Datum van uw GX4® aan te passen:

- Verbind uw GX4® met het internet. Maak de verbinding in "Client-modus". Zie p.12 of neem contact op met RPB® voor instructies.
- Navigeer naar Menu → Systeem → Tijd & Eenheden → Synchroniseer Tijd. Druk

## **AANPASSING LAGE TOEVOER INSTELPUNT**

Wanneer het systeem detecteert dat de luchttoevoer naar de sensoren te laag is, wordt een waarschuwing geactiveerd op de monitor en wordt een waarschuwingssignaal verzonden via de "Warning Out" -aansluiting van de hulpvoeding, die kan worden gebruikt om een externe lichtboom of ander apparaat te activeren.

De nauwkeurigheid van de gedetecteerde toevoersnelheid wordt beïnvloed door de temperatuur en omgevingsluchtdruk (bijvoorbeeld door hoogteverschillen). Om ervoor te zorgen dat de waarschuwing voor lage toevoer wordt geactiveerd bij de juiste toevoersnelheid, moet het instelpunt voor lage toevoer maandelijks worden aangepast volgens de onderstaande procedures en telkens wanneer de temperatuur meer dan 30° F

op "OK" om de tijd te synchroniseren.

### **Veel voorkomende fouten:**

- Eenheid offline: Uw eenheid is niet verbonden met een draadloos netwerk. Zet het apparaat in Client-modus.
- Onbereikbaar: De GX4® kon geen verbinding maken met de tijd-service via uw netwerk.
- Tijdfout: De ontvangen tijd was aanzienlijk verschillend van de tijd op uw apparaat. Neem contact op met RPB®.

Let op: Na het synchroniseren van de tijd kunnen uw logboeken in de verkeerde volgorde verschijnen, maar ze worden nog steeds opgenomen in de volgorde waarin de gebeurtenissen zich daadwerkelijk hebben voorgedaan.

### **Eenheden**

De maateenheden kunnen worden gewijzigd tussen Metrisch en Engels.

### **Alarm en Hulp**

Test het alarm en controleer de status van de hulpapparatuur.

### **Apparaatsoftware**

Fabrieksreset van firmware-instellingen.

Opmerking: Logboeken worden niet gewist tijdens een fabrieksreset.

# **GX4® GAS MONITOR**

(15° C) verandert of in het geval van een hoogteverschil van meer dan 1000ft (300m).

**⚠ WAARSCHUWING** Een onjuist instelpunt voor lage toevoer kan er voor zorgen dat er geen waarschuwing afgaat als luchttoevoer onvoldoende is, wat het risico op onvoldoende bescherming verhoogt.

Om het instelpunt voor lage toevoer aan te passen:

1. Zet de luchttoevoer open en pas de inlaatdruk aan tot 15-20 PSI.
2. a. Controleer of de toevoerwaarde ten minste 50 is. Zo niet, vervang dan het spuitstuk.
3. Schakel alle luchttoevoer naar de GX4® uit/koppel deze los en noteer de weergegeven toevoerwaarde.
4. Verbind de luchttoevoer en zet deze open op de normale bedrijfsdruk, terwijl alle apparatuur is aangesloten en noteer de weergegeven toevoerwaarde.
5. Als deze normale toevoer en geen toevoerswaarden minder dan 40 punten uit elkaar liggen, stel dan de inlaatdruk dichterbij 20 PSI in en test opnieuw.
6. Zodra de meetwaarden ten minste 40 punten uit elkaar liggen, wijzig het instelpunt voor lage toevoer tot halverwege tussen de twee meetwaarden. Het instelpunt voor een lage toevoer kan worden aangepast in het menu bij: **Systeem → Alarmen → AUX Toevoerdrempel.**

## **PAS DE GASCONCENTRATIE AAN.**

De verwachte gasconcentratie kan nu worden aangepast naar het certificaat van uw gasfles. Wanneer u de gaskalibratie wizard selecteert, selecteer "Bewerken" en scroll vervolgens omhoog/omlaag om de concentratie aan te passen.

De monitor zal de kalibratie van het patroon aanpassen aan de verwachte waarde. Let op, dit zijn slechts kleine wijzigingen ten opzichte van de originele instelling.

Wanneer u de kalibratievalidatie wizard start, wordt u gevraagd: "Kalibreer sensoren opnieuw om ze aan de gasspecificaties aan te passen."

- Als u "Ja" selecteert, wordt het patroon bij voltooiing van elke gastest aangepast.
- Als u "Nee" selecteert, voert de wizard de standaardfunctie uit en worden alleen de sensoren gecontroleerd.

Sensoren kunnen niet te ver van hun oorspronkelijke fabriekskalibratie worden aangepast en de hoeveelheid varieert per sensortype. Bijvoorbeeld:

- CO-sensor kan worden gewijzigd met -5% tot + 12,5%
- CO kan het "Nul" punt niet aanpassen
- O2 kan worden aangepast met +/- 0,2% O2 op de meetwaarde

Deze functie is alleen compatibel met sensoren van Versie 2.0 of recentere versies. U vindt de versie van de sensor in het 'sensordetails'-menu.

## **ALARMEN**

Het alarm zal klinken in de volgende scenario's:

- De concentratie van eventueel bewaakt gas overschrijdt de toegestane limieten die zijn ingesteld door het patroon.



- Software reageert niet meer.
- Luchttoevoer gaat verloren of "lage luchttoevoer" wordt gedetecteerd.
- Patroon ontbreekt.
- Batterij is bijna leeg.

Op het scherm wordt weergegeven welk gas en patroon door het alarm gedetecteerd wordt. Bovendien wordt het lampje boven de betreffende gleuf op het scherm rood.

Het alarm kan worden onderdrukt door op de sneltoets "Stilte" onder het scherm te drukken. Hiermee wordt het alarm gedurende 30 seconden uitgeschakeld. Als de gasconcentratie nog steeds boven de toegestane limiet is, klinkt het alarm opnieuw.

Het afgaan van het alarm en het 'drukken op de stilte-knop' wordt altijd vastgelegd in de logboeken.

Het wordt aanbevolen om een extern alarmsysteem op de Hulpvoeding aan te sluiten.

## BATTERIJ

De GX4® is ontworpen om op externe voeding te worden gebruikt. Het heeft een ingebouwde Lithium-Polymeerbatterij die bedoeld is voor back-updoeleinden in het geval van een stroomstoring.

De monitor kan tot 10-12 uur op de batterij werken. Het wordt niet aanbevolen om de GX4® regelmatig of gedurende lange tijd op batterij-stroom te laten werken.

De status van de batterij wordt weergegeven op het startscherm zoals in Fig. 11.1

### WAARSCHUWING

**Volg de onderstaande voorzorgsmaatregelen en procedures voor elektriciteit en batterijen om het risico op brand, ontploffing of brand of elektrische schokken door de lader te verminderen:**

AFBEELDING 10.1 OP PAGINA 24

- Opladen
- Volledig Opgeladen
- Batterij Bijna Leeg

Let op:

Het apparaat heeft 10 seconden nodig om het niveau van de batterij te lezen nadat het apparaat is ingeschakeld.

### Before plugging in:

- Inspecteer de oplader en netsnoeren vóór gebruik. Vervang deze als er onderdelen beschadigd zijn. Vervang of wijzig niets en voeg geen onderdelen aan de opladers toe. Probeer de opladers geen onderhoud te geven. Er zijn geen onderdelen in het apparaat die door de gebruiker kunnen worden gerepareerd.
- Gebruik alleen de meegeleverde oplader en het snoer.

### Waar in te pluggen:

Alleen inpluggen:

- binnenshuis,
- in een droge omgeving,
- weg van warmtebronnen,

# **GX4® GAS MONITOR**

- weg van alles dat kan branden als het wordt blootgesteld aan hitte of vuur,
- op een goed geventileerde plaats,
- waar het apparaat kan worden gecontroleerd en gemakkelijk kan worden geobserveerd.

## **Opladen**

De Voeding is een universele 110-240 volt-adaptor. De batterijen zijn gemaakt om 350 oplaadcycli maximale prestaties te leveren. Volledige laadcycli duren 4 uur.

## **Batterij Onderhoud**

- **GEBRUIK** het apparaat niet buiten de aanbevolen temperatuurgrenzen van -10°C tot 60°C (14°F tot 140°F).
- **LAAD** het apparaat niet op buiten de aanbevolen temperatuurgrenzen van 0°C tot 45°C (32°F tot 113°F).
- **BEWAAR** het apparaat niet buiten de aanbevolen temperatuurgrenzen van -10°C tot 45°C (14°F tot 113°F).
- Niet uit elkaar halen. Niet onderdompelen in water of andere vloeistoffen.

## **Onderhoud Batterij en Oplader**

- Gebruik alleen de O8-430 Voeding met de juiste regio-specifieke stekker.
- Als het apparaat of de voeding te heet wordt, stop dan met het gebruik en laat ze afkoelen.

## **Instructies voor Verwijdering**

Dit apparaat bevat batterijen. Voer batterijen af volgens de plaatselijke voorschriften. Niet verpletteren, demonteren, in standaard afvalbakken gooien, verbranden of naar verbranding sturen. Als batterijen niet goed worden weggegooid, kan dit leiden tot milieuvervuiling, brand of explosie. Als u vragen heeft, vraag het dan aan uw werkgever.

# **ONDERHOUD**

## **SPRUITSTUK CONTROLE EN VERVANGING**

### *AFBEELDING 11.1 OP PAGINA 25*

Aan de achterkant van de GX4® bevindt zich een spuitstuk (om de lucht naar de sensoren te verdelen), bestaande uit een doorzichtige buis met einddoppen. Deze moet wekelijks worden gecontroleerd op olie en stof. Let op: Aanwezigheid van olie duidt op een probleem met de luchttoevoer dat moet worden opgelost.

### *AFBEELDING 11.2 OP PAGINA 25*

Om het spuitstuk te verwijderen voor inspectie, druk op de groene clip zodat het spuitstuk door de uitsparingen van de monitorbehuizing los getrokken kan worden.

### *AFBEELDING 11.3 OP PAGINA 25*

Roteer het spuitstuk zodat het recht uit de achterkant van de monitor steekt.

### *AFBEELDING 11.4 OP PAGINA 25*

Aan de basis van het spuitstuk zit een push-lock fitting met een groene ring. Trek het spuitstuk los terwijl u op de ring drukt.

### *AFBEELDING 11.5 OP PAGINA 26*

Na het verwijderen van het spuitstuk, inspecteer deze van alle kanten om ervoor te zorgen dat alle openingen vrij zijn en dat er geen olie of vuil in de slang zit. **HET SPRUITSTUK NIET DEMONTEREN.** Als er olie of stof in het spuitstuk zit, moet het spuitstuk (onderdeelnr. O8-422) worden vervangen.

### *AFBEELDING 11.6 OP PAGINA 26*

Om het spuitstuk te vervangen, steek het tapse uiteinde in de groene ring van

de push-lock fitting die in de achterkant van de monitor zit. Richt de gaten van het spuitstuk in de richting van de sensoren.

#### **AFBEELDING 11.7 OP PAGINA 26**

Draai het spuitstuk in de achterkant van de monitor, zodat de clip in de inkepingen aan de achterkant van de monitor valt en zorg ervoor dat deze stevig is vastgeklikt met een hoorbare "klik".

### **VERVANG BEVESTIGINGSBEUGELS**

#### **AFBEELDING 12.1 OP PAGINA 26**

Als de bevestigingsbeugels (P/N: 08-425) kapot gaan, kunt u deze vervangen.

Verwijder de twee schroeven waarmee elke beugel is bevestigd. Verwijder de gebroken beugel en vervang deze door een nieuwe beugel. Bevestig de nieuwe beugel met de meegeleverde (UNC 10-24 x ¾") schroeven.

### **REINIGINGSINSTRUCTIES**

De GX4® moet schoon worden gehouden om optimaal te presteren. Verschillende onderdelen van de GX4® moeten worden gereinigd volgens deze instructies:

#### **Contactpunten van de Sensorpatronen:**

De contactpunten op het apparaat en op de patronen moeten schoon worden gehouden. Verwijder stof en vuil van de contactpunten met een droog zakdoekje of een doekje. Maak de contactpunten af en toe schoon met wattenstaafjes gedrenkt in isopropylalcohol. Gebruik een potloodgum of een vingertop om zwarte strepen van contactbewegingen te verwijderen. Als het patroon niet registreert wanneer deze in de GX4® wordt geplaatst, is het zeer waarschijnlijk dat de contactpunten moeten worden schoongewreven met een vingertop.

#### **Toetsenbord:**

Reinig het toetsenbord met een milde huishoudreiniger. In het geval van verf op het toetsenbord, voorzichtig reinigen met MEK of andere verfreinigingsmiddelen. Zorg ervoor dat er geen MEK of andere middelen op de contactpunten van het patroon of de patroonsensoren komt.

#### **Sensoren:**

Als de witte sensor in het patroon vies is, vervang het patroon met een nieuwe. Dit moet maandelijks gecontroleerd worden.

#### **Gesinterde Messing Filters:**

Als het inlaatfilter vuil of verstopt is, vervang deze met een nieuwe filter (08-429). (Verwijder de gesinterd messing Filter niet uit het spuitstuk. Als deze vies of verstopt is, vervang het Spruitstuk (08-422). Dit moet wekelijks worden gecontroleerd.

#### **Vermogen/Hulpvoedingen:**

Blaas met perslucht, maak de contactpunten schoon volgens de instructies voor het reinigen van de contactpunten.

#### **Alarmsirene:**

Blaas af met perslucht.

#### **GX4® Behuizing/Patroonbehuizing:**

Reinigen met een milde huishoudreiniger. Voor verf, veeg af met MEK of andere verfreinigingsmiddelen.

## MAINTENANCE CONTINUED

### SENSORCONTROLE

De gassensor patronen zijn vooraf gekalibreerd, maar ze moeten maandelijks worden gecontroleerd om er zeker van te zijn dat ze nog steeds volgens de overheidsvoorschriften gekalibreerd zijn. Selecteer "Menu" → "Sensors" → "Controleer Sensoren" en volg de aanwijzingen in het displaymenu om een Sensorcontrole op elk patroon uit te voeren.

U hebt de volgende extra accessoires nodig:

- Zero Air Bottle (08-460) met 20,9% Zuurstof in Stikstof.
- Controleer Luchtfles(sen) die specifiek zijn voor het gas van de patronen die moeten worden gecontroleerd.
- Kalibratiekit (08-451) om de flessen aan te sluiten op de GX4®.

**⚠ WAARSCHUWING** Alarmen worden uitgeschakeld. U moet bevestigen dat de monitor niet in gebruik is. Altijd opbergen en gebruiken in een goed geventileerde ruimte bij het werken met ademlucht en gevaarlijke gassen. Vermijd contact met ogen, huid en kleding door het dragen van de juiste PBM, zoals een veiligheidsbril en handschoenen. Raadpleeg de waarschuwingen en instructies op de gasflessen.

Kalibratiegas moet worden geleverd tussen 1 en 4 slpm of via een drukregelaar. Met behulp van de 08-451 Regelaar met 08-460, 08-461 en 08-462-Gas kunnen tot 40 kalibratiecontroles worden uitgevoerd.

Het apparaat bevestigt of de patronen nog steeds zijn gekalibreerd of niet. Als het gecontroleerde patroon in orde is, kunt u doorgaan met het controleren van het volgende patroon of met het gebruik van de monitor. Als de patronen niet meer worden gekalibreerd, vervang de patronen met nieuwe.

Sensorcontroles worden vastgelegd in de Logboeken en er kunnen Certificaten worden gegenereerd met behulp van de webinterface.

### GBEBRUIK SENSORCONTROLE - KALIBRATIEVALIDATIE WIZARD

VERWIJDER DE PATRONEN NIET TIJDENS EEN SENSORCONTROLE.

1. Ontkoppel de luchttoevoer.
2. Druk op de knop "Menu".
3. Selecteer "Sensors".
4. U heeft nodig: Zero Air: 08-460, Control Air (selecteer op basis van het type sensor dat wordt gecontroleerd). Kalibratiekit: 08-451
5. Zorg ervoor dat u de juiste P.B.M. draagt, zoals een veiligheidsbril en handschoenen, en zich in een goed geventileerde ruimte bevindt.
6. Ga akkoord met het uitschakelen van de alarmen.
7. Met Firmware V2.0.0 kunt u het patroon automatisch aanpassen. Volg de aanwijzingen in de wizard en selecteer 'Automatisch Aanpassen' of 'Alleen Valideren'. Selecteer de juiste touchpad om door te gaan.
8. Met Firmware V2.0.0 kunt u de concentratie van het gas aanpassen. Om door te gaan,

- volg de aanwijzingen in de wizard, selecteer de juiste touchpad en selecteer de ppm.
9. Selecteer het soort Gas om te Controleren.
  10. Sluit gas aan en open het ventiel.
  11. Begin de test.
  12. Test goed of afgekeurd.
  13. Sluit het ventiel en ontkoppel de Lucht.
  14. Sluit Zero Air aan en open het ventiel.
  15. Sluit het ventiel en koppel de Zero Air los.
  16. Als de sensor defect is, verwijder deze uit het apparaat en vervang deze met een nieuwe patroon.
  17. Sluit opnieuw aan op de luchttoevoer om normaal gebruik te hervatten.

#### *AFBEELDING 13.1 OP PAGINA 29*

Sluit de testluchtflessen aan op de luchtinlaat.

#### *AFBEELDING 13.2 OP PAGINA 29*

Afbeelding 10.2 is een voorbeeld van een weergave op het scherm tijdens een sensorcontrole.

### **VERVANGING VAN PATRONEN**

De sensorpatronen hebben een levensduur van twee jaar vanaf de fabricagedatum. Na de vervaldatum kunnen hun waarden onbetrouwbaar zijn. Er verschijnt een waarschuwing op de GX4® wanneer het patroon over 30 dagen verloopt en dit wordt elke dag opnieuw vermeld totdat deze verloopt. Zodra het patroon leeg is, verschijnt er elke 6 uur een melding en geeft de Hulpvoeding (AUX) het OK-signaal niet weer.

Bij het verwijderen van een patroon verschijnt een waarschuwingsbericht op het scherm. Als er niet binnen 30 seconden op deze waarschuwing wordt gereageerd, klinkt het alarm. Dit is een veiligheidsfunctie die patronen die onbedoeld uit de unit komen detecteert.

### **ONDERHOUDSCHEMA:**

**Wekelijks:** Controleer het spuitstuk en de gesinterde messing inlaatfilter

**Maandelijks:** Sensorpatronen - Contactpunten reinigen, kalibratie controleren

**Elke 3 maanden:** controleren op firmware-updates (en wanneer een nieuw patroon is geïnstalleerd)

## **ONDERDELEN EN ACCESSOIRES**

*AFBEELDING 14.1 OP PAGINA 30*

### **LIJST MET ONDERDELEN**

<b>ITEM NUMMER</b>	<b>BESCHRIJVING</b>	<b>ONDERDEEL NUMMER</b>
1	GX4® Gasmonitor met bevestigingsbeugels	08-410
2	Bevestigingsbeugels (paar)	08-425
3	Bevestigingsbeugel voor de Muur	08-231
4	Koolmonoxidesensor (CO) 10ppm	08-420-01
	Koolmonoxidesensor (CO) 5ppm	08-420-02
	Waterstofsulfidesensor (H2S) 10ppm	08-420-03
	Zuurstofsensor (O2) 19,5-23,5%	08-420-04

# **GX4® GAS MONITOR**

5	Los Patroon	08-420
6	Ademlucht slang	08-428
7	M5-Inlaatfilter, Gesinterd Messing	08-429
8	AC-Adapter en Netsnoer - VS	08-430
	AC-Adapter en Netsnoer- VK	08-430-UK
	AC-Adapter en Netsnoer - AU/NZ	08-430-AU
	AC-Adapter en Netsnoer- EU	08-430-EU
9	Netsnoer- VS	09-021
	Netsnoer - VK	09-021-UK
	Netsnoer - AU/NZ	09-021-AU
	Netsnoer - EU	09-021-EU
10	Batterijklemmen	08-431
11	AUX-Kabel, Kale Uiteinden met 50 ft. Kabel	08-434
12	AUX-Stroboscooplicht met 50ft. Kabel	08-435
	AUX-stroboscooplicht met Alarm met 50ft. Kabel	08-436
	AUX-veldinstallatie	08-437
	Voeding veldinstallatie	08-438
13	Zware Behuizing voor in het Veld	08-424
14	Kalibratie-Adapter	08-450
15	Kalibratie Regelaar Kit 1.5 slpm, inclusief 08-450	08-451
16	34L Zero Air Cilinder	08-460
	Koolmonoxide (CO) 20PPM-Cilinder	08-461
	Waterstofsulfide (H <sub>2</sub> S) 20PPM Cilinder	08-462
17	Spruitstuk	08-422
18	Regelaar	08-470
	Regelaar met RZ® fitting	08-470-RZ

## **WAARSCHUWING**

**Gebruik alleen exacte, authentieke RPB®-  
vervangingsonderdelen (gemarkeerd met het RPB®-logo en onderdeelnummer) en  
alleen in de aangegeven opstelling. Gebruik van onvolledige of ongeschikte uitrusting,  
waaronder het gebruik van nagemaakte of niet-RPB®-onderdelen, kan resulteren in  
onvoldoende bescherming.**

## **BEPERKTE GARANTIE**

RPB® garandeert dat haar Producten gedurende één (1) jaar vrij zijn van materiaal- en fabricagefouten, met inachtneming van de voorwaarden van deze beperkte garantie. De Producten worden alleen verkocht voor commercieel gebruik en er zijn geen consumentengaranties van toepassing op de Producten. Deze beperkte garantie komt ten goede aan de oorspronkelijke koper van het Product en kan niet worden overgedragen of toegewezen. Dit is de enige en exclusieve garantie die door RPB® wordt geboden en **ALLE VOORWAARDEN EN STILZWIJGENDE GARANTIES (INCLUSIEF ELKE GARANTIE VAN VERKOOPBAARHEID OF GESCHIKTHEID VOOR EEN BEPAALD DOEL) WORDEN UITGESLOTEN EN UITGESLOTEN VAN DE GARANTIEDEKKING**. De beperkte garantiedekking van RPB® is niet van toepassing op schade die voortvloeit uit een ongeval, oneigenlijk gebruik of verkeerd gebruik van de Producten, slijtage als gevolg van het normale gebruik van de Producten of het niet correct onderhouden van de Producten.

De beperkte garantiedekking van RPB® geldt vanaf de oorspronkelijke aankoopdatum van de Producten en is alleen van toepassing op gebreken die zich voor het eerst manifesteren en die binnen de garantieperiode aan RPB® worden gemeld. RPB® behoudt het recht om naar redelijke tevredenheid te bepalen of een geclaimd defect onder deze beperkte garantie valt.

Als er defect optreedt dat onder de garantie valt, zal RPB® naar eigen goeddunken het defecte Product (of een onderdeel van het product) repareren of vervangen. Deze 'reparatie of vervanging' oplossing is de enige en exclusieve remedie onder deze beperkte garantie en de aansprakelijkheid van RPB® onder deze beperkte garantie zal onder geen enkele omstandigheid de oorspronkelijke aankoopprijs voor de Producten (of het toepasselijke onderdeel) overschrijden. RPB® is niet verantwoordelijk voor incidentele of gevolgschade, inclusief gebruiksderving, onderhoud en andere kosten, en **ALLE INCIDENTELE EN GEVOLGSCHADE ZIJN UITGESLOTEN EN NIET ERKEND** door deze beperkte garantie. Neem contact op met RPB® voor garantieservice. Een bewijs van aankoop moet worden verstrekt om garantieservice te krijgen. Alle kosten van het terugzenden van de Producten naar RPB® voor garantieservice moeten door de koper worden betaald.

RPB® behoudt zich het recht voor om haar producten te verbeteren door wijzigingen in ontwerp of materialen aan te brengen zonder verplichtingen te hebben jegens kopers van eerder gefabriceerde Producten.

## **AANSPRAKELIJKHEID**

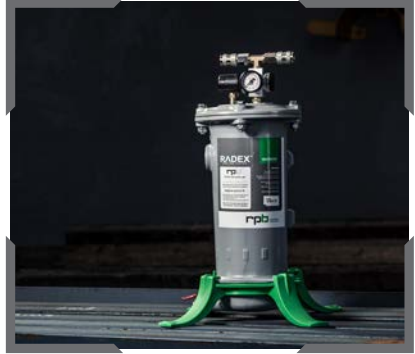
RPB® Safety kan geen enkele aansprakelijkheid aanvaarden van welke aard dan ook die direct of indirect voortvloeit uit het gebruik of misbruik van RPB® Safety-producten, inclusief doeleinden waarvoor de producten niet zijn ontworpen. RPB® Safety is niet aansprakelijk voor schade, verlies of kosten als gevolg van het niet geven van advies of informatie of het geven van onjuist advies of informatie, al dan niet vanwege nalatigheid van RPB® Safety of die van zijn werknemers, agenten of onderaannemers.

## OTHER PRODUCTS

ISO9001  
CERTIFIED COMPANY

### AIRLINE FILTRATION

The RPB® RADEX AIRLINE FILTER™ offers increased capacity, versatility and filtration. This optional equipment combines the versatility of either floor or wall mounting with increased filtration capacity, enabling customization to meet worker's needs and working environments.



### RPB® C40™ CLIMATE CONTROL

Looking for an advanced climate control device that can heat and cool your supplied air just by the slide of a lever? Look no further than the RPB® C40™. From the searing heat of an Arizona summer to a severe Scandinavian winter the RPB® C40™ will keep you comfortable.



### RPB® NOVA 3® RESPIRATOR

The RPB® NOVA 3® combines breakthrough protection technology with advanced comfort and functionality, surpassing even the most rigorous industry standards and the demands of the most quality-conscious companies. Designed to optimize safety and productivity, and to minimize worker downtime, the helmet has a host of features that maximize its lifetime value.



MAN-07

**rpb**®